



# 3-Phase Field Effect Transistor Pre-Driver

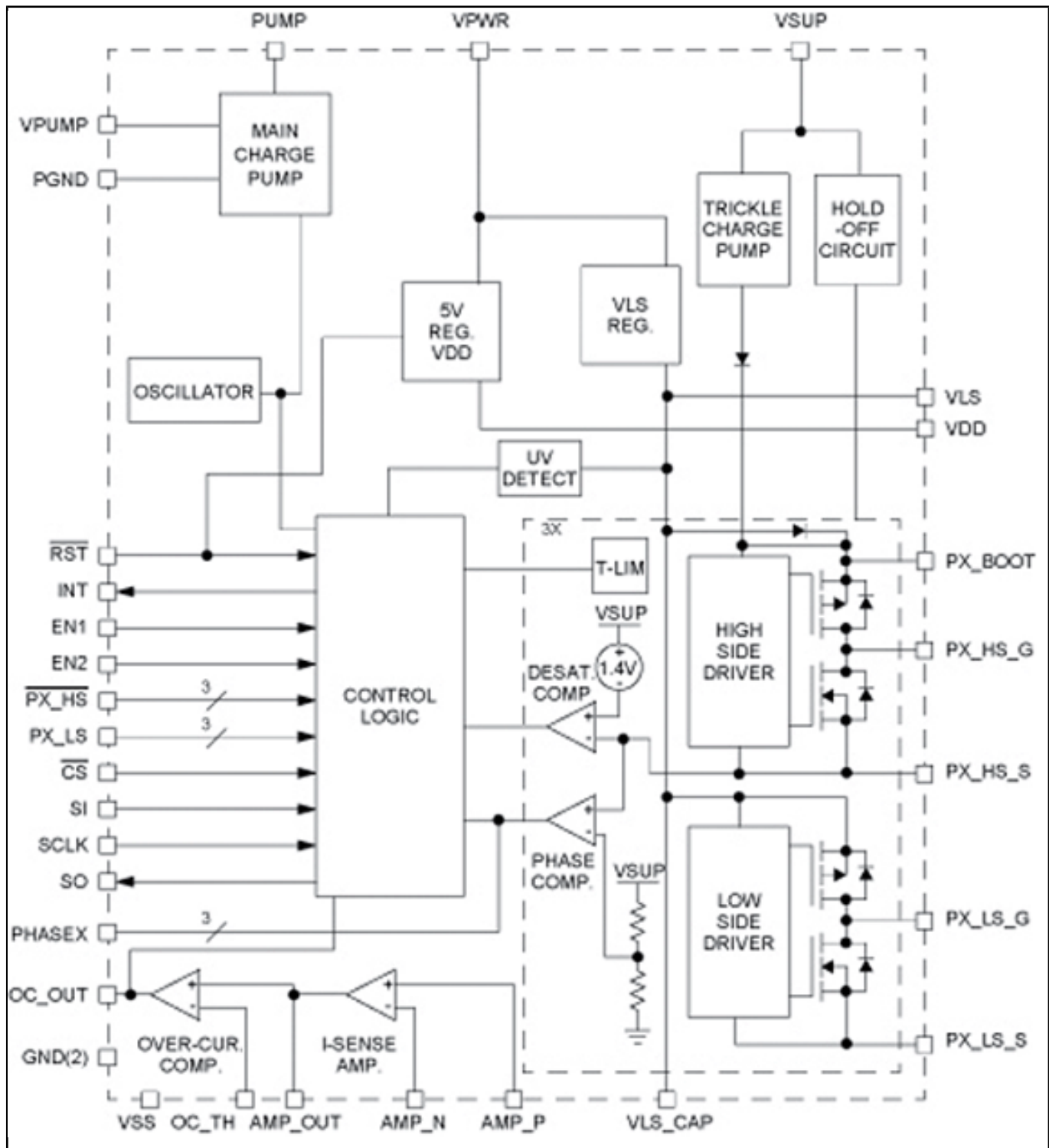
## MC33937

Last Updated: Jul 20, 2023

The NXP® MC33937A is a Field Effect Transistor (FET) pre-driver designed for three phase motor control and similar applications.

- The integrated circuit (IC) uses SMARTMOS® technology
- The IC contains three High Side FET pre-drivers and three Low Side FET pre-drivers
- Three external bootstrap capacitors provide gate charge to the High Side FETs
- The IC interfaces to a MCU via six direct input control signals, an SPI port for device setup and asynchronous reset, enable and interrupt signals
- Both 5.0 and 3.0 V logic level inputs are accepted and 5.0 V logic level outputs are provided
- [Processor Expert® component](#) for MC33937 enables rapid embedded application development

## MC34937 Power Actuation Block Diagram



View additional information for [3-Phase Field Effect Transistor Pre-Driver](#).

Note: The information on this document is subject to change without notice.

**[www.nxp.com](http://www.nxp.com)**

NXP and the NXP logo are trademarks of NXP B.V. All other product or service names are the property of their respective owners. The related technology may be protected by any or all of patents, copyrights, designs and trade secrets. All rights reserved. © 2024 NXP B.V.