



# Quad LIN Commander Transceiver with LIN Commander Controller

## SJA1124

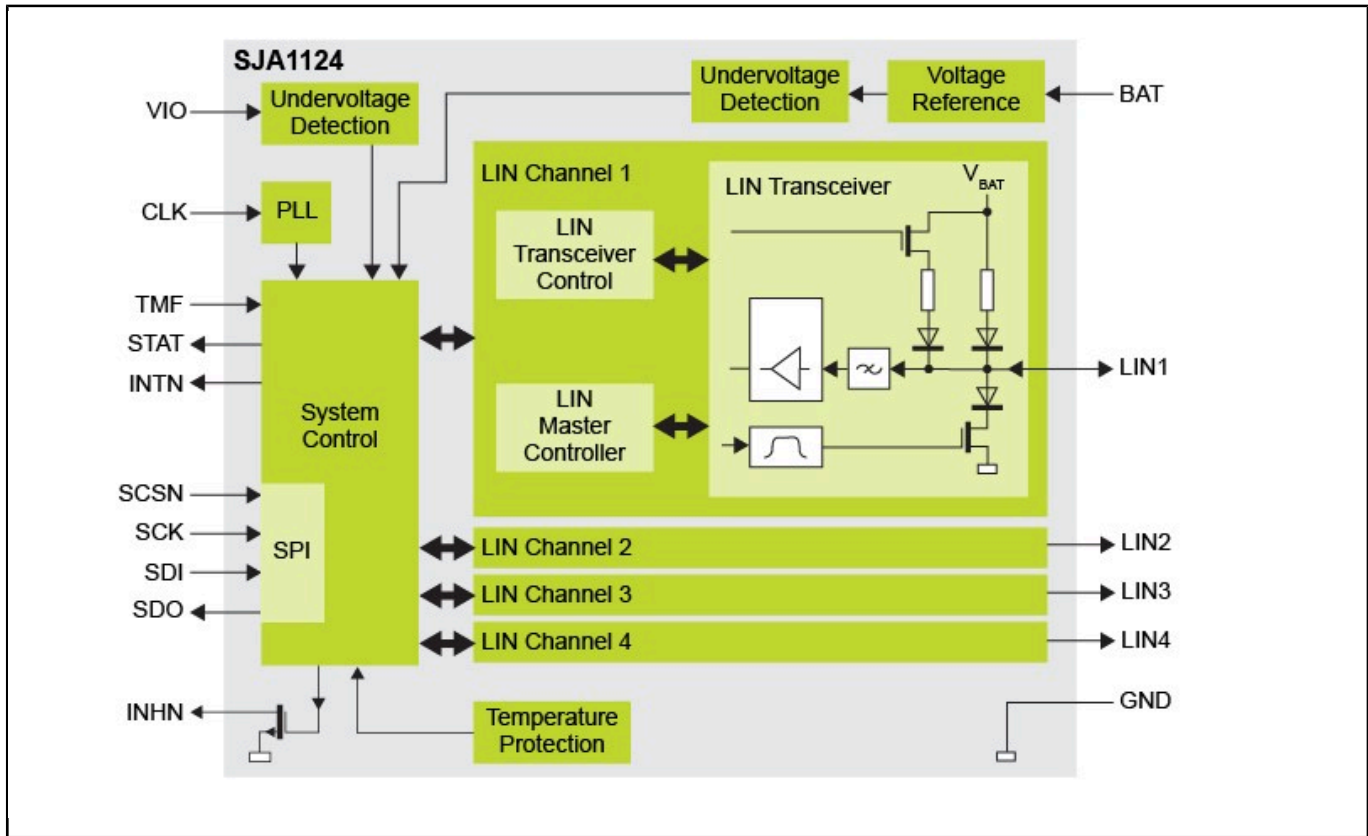
Last Updated: Jul 20, 2023

The SJA1124 is a quad local interconnect network (LIN) commander channel device. Each of the four channels contains a LIN commander controller and LIN transceiver with commander termination. LIN commander frames are transferred to the physical LIN bus via the LIN physical layer.

The SJA1124 is primarily intended for in-vehicle subnetworks using baud rates up to 20 kBd and is compliant with LIN 2.0, LIN 2.1, LIN 2.2, LIN 2.2A, ISO 17987-4:2016(12 V LIN) and SAE J2602-1.

A serial peripheral interface (SPI) and an interrupt output provide the interface between the SJA1124 and a microcontroller.

## SJA1124 Block Diagram Block Diagram



View additional information for [Quad LIN Commander Transceiver with LIN Commander Controller](#).

Note: The information on this document is subject to change without notice.

### www.nxp.com

NXP and the NXP logo are trademarks of NXP B.V. All other product or service names are the property of their respective owners. The related technology may be protected by any or all of patents, copyrights, designs and trade secrets. All rights reserved. © 2024 NXP B.V.