

1

2

3

4

D

D

LED indicate
ActivePort Indicators.sch



1362chip
1362.sch



pcichip
pci.sch



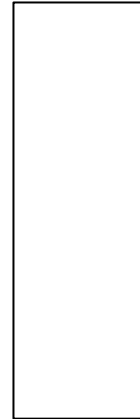
pld
pld.sch



Jumpers
jumpers.sch



usb ports
USBPorts Interface.sch



C

C

ISP362 PCI Card v 1.0

B

B

A

A

Title		
Size	Number	Revision
A		
Date:	14-Mar-2002	Sheet of
File:	F:\Jason Backup 030701\Philips\ISP1362\Sch\Drawings\ISP362 PCI 1.0\1362pci.DDB	

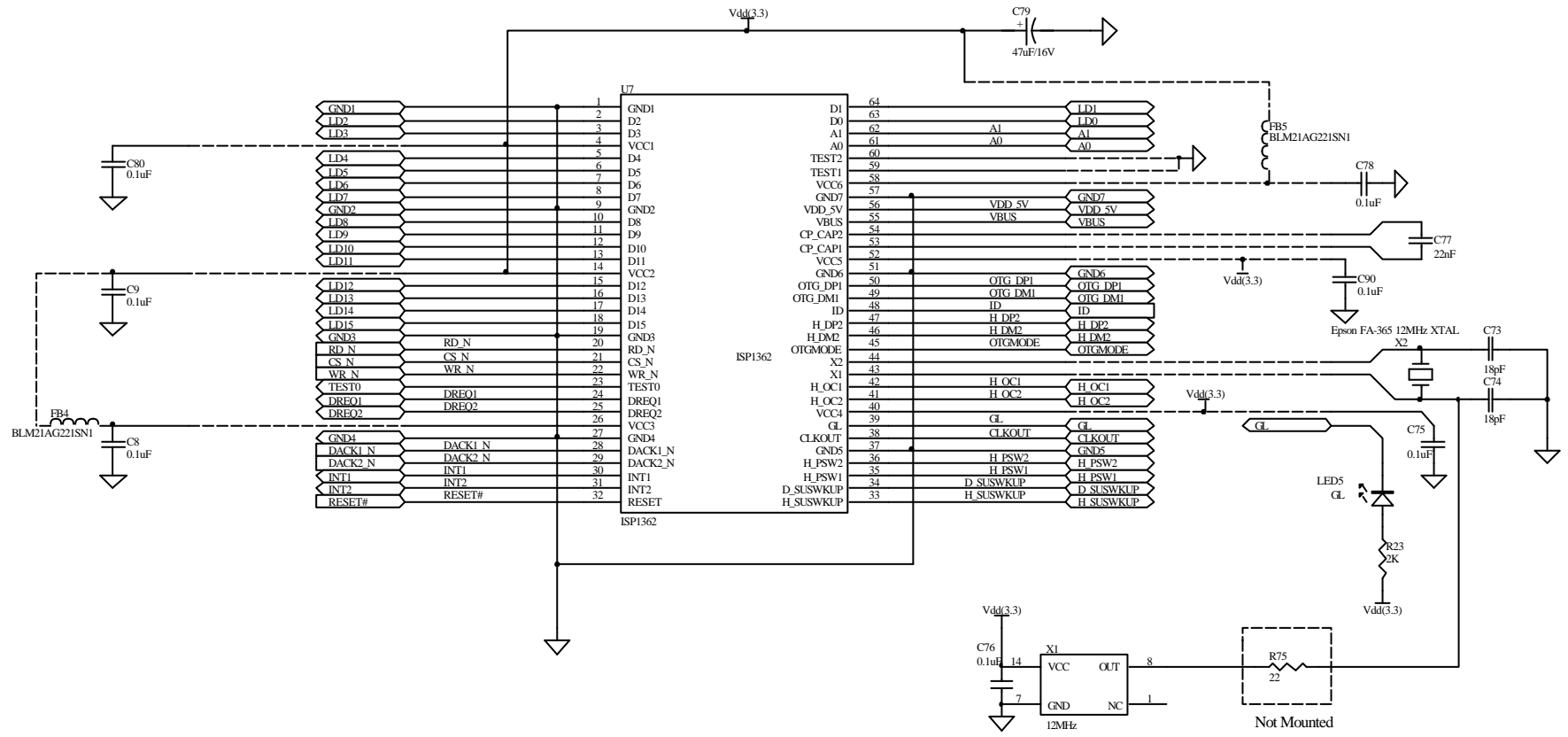
1

2

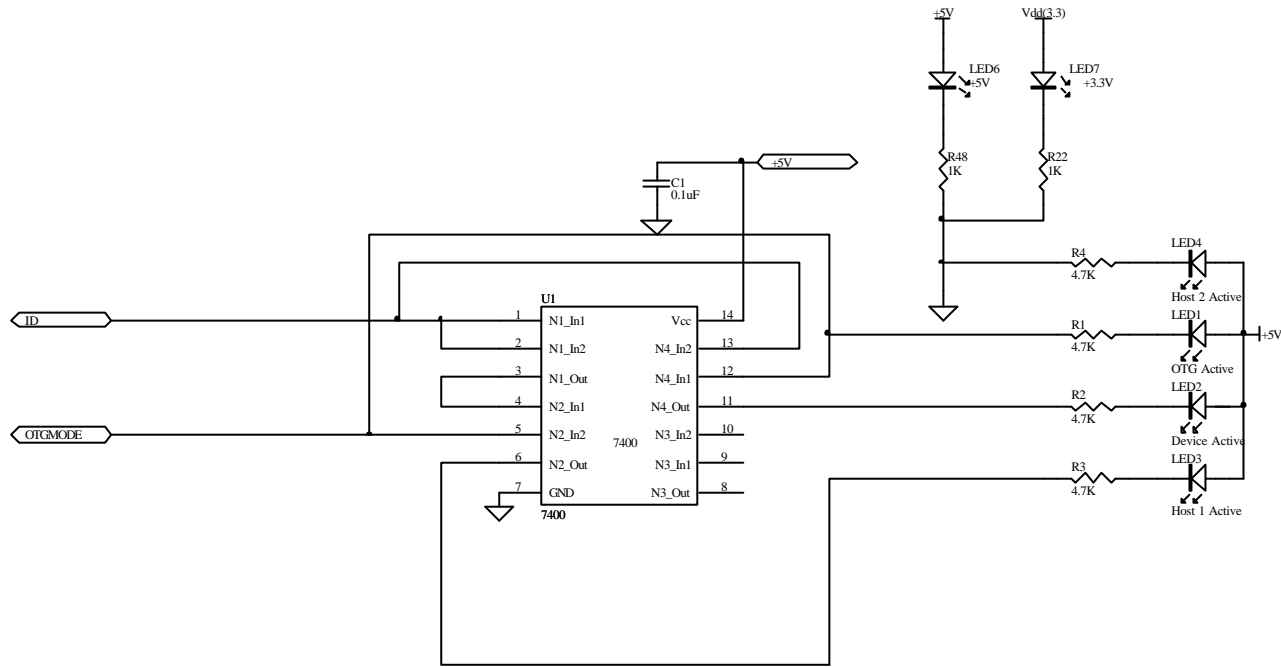
3

4

Main Circuit

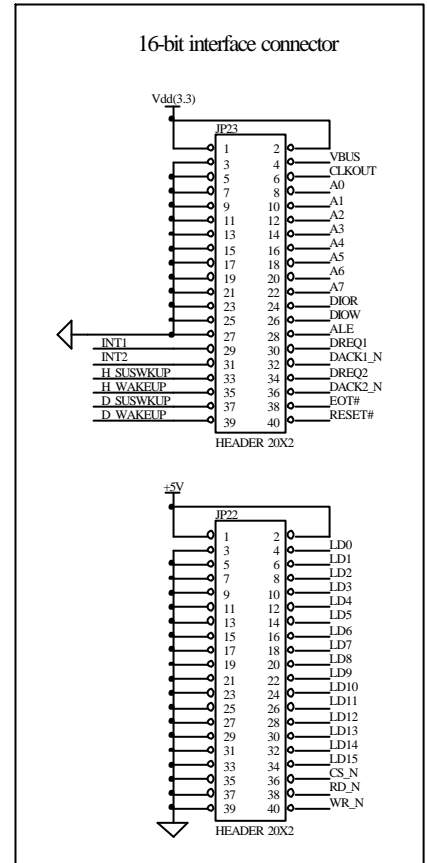
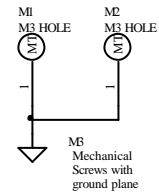
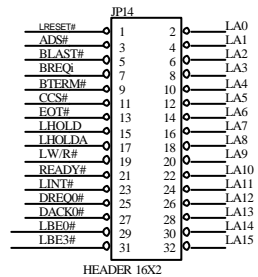
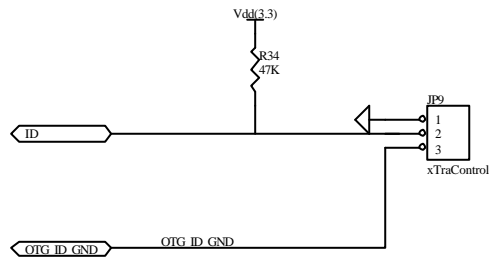
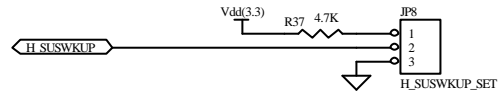
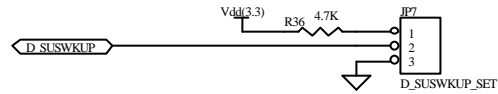
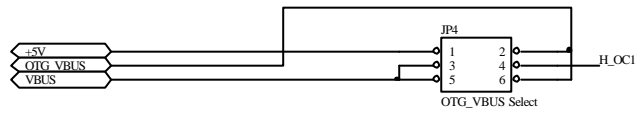
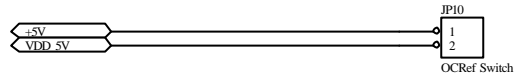
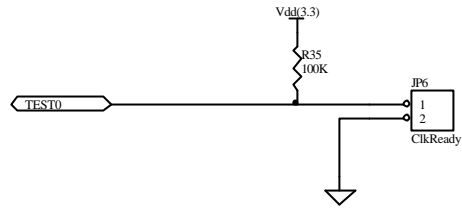
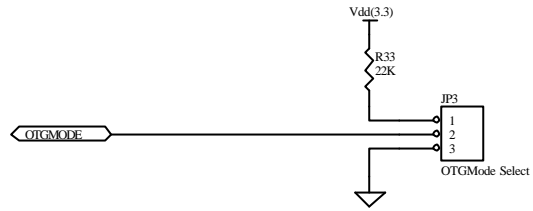


Title		
ISP1362 PCI 1.0		
Size	Number	Revision
B		
Date:	14-Mar-2002	Sheet of
File:	F:\Jason_Backup_03\0701\Philips\ISP1362\PCB\main_Bsp1362_PCI_1.0_1362pci.DDR	

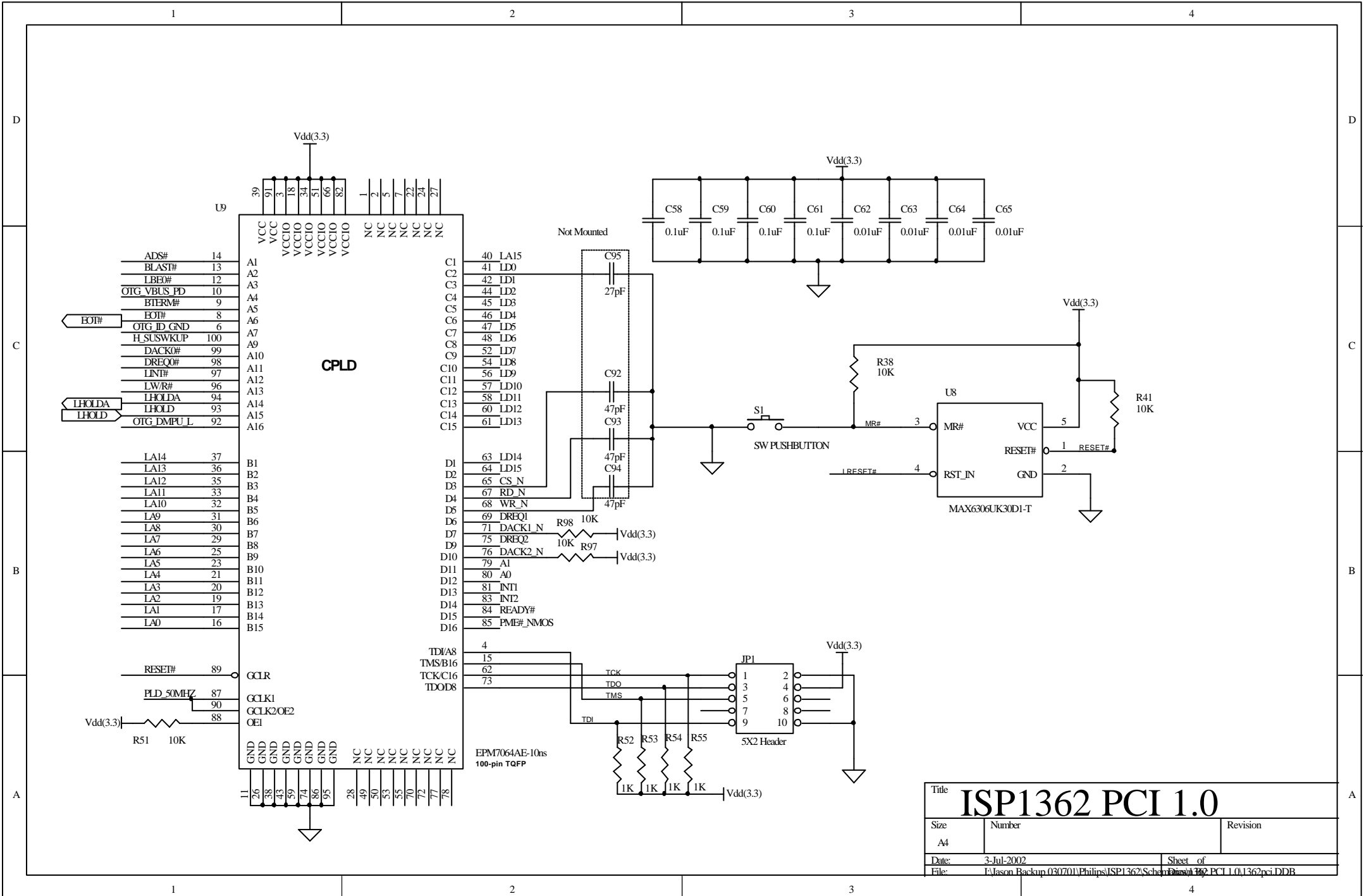


Title		
ISP1362 PCI 1.0		
Size	Number	Revision
B		
Date:	14-Mar-2002	Sheet of
File:	F:\Jason_Backup_03\0701\Philips\ISP1362\Bomwin\Bd362_PCI_1.0\1362pci.DDR	

Jumpers



Title		
ISP1362 PCI 1.0		
Size	Number	Revision
B		
Date:	26-Jun-2002	Sheet of
File: F:\Jason_Backup\030701\Philips\ISP1362\Sub\Hbm\B3562_PCT1.0\1362pci.DDB		



ADS#	14	A1
BLAST#	13	A2
LBEO#	12	A3
OTG_VBUS_PD	10	A4
BTERM#	9	A5
EOT#	8	A6
OTG_ID_GND	6	A7
H_SUSWKUP	100	A9
DACK#	99	A10
DREQ#	98	A11
INT#	97	A12
LW/R#	96	A13
LHOLDA	94	A14
LHOLD	93	A15
OTG_DMPU_L	92	A16

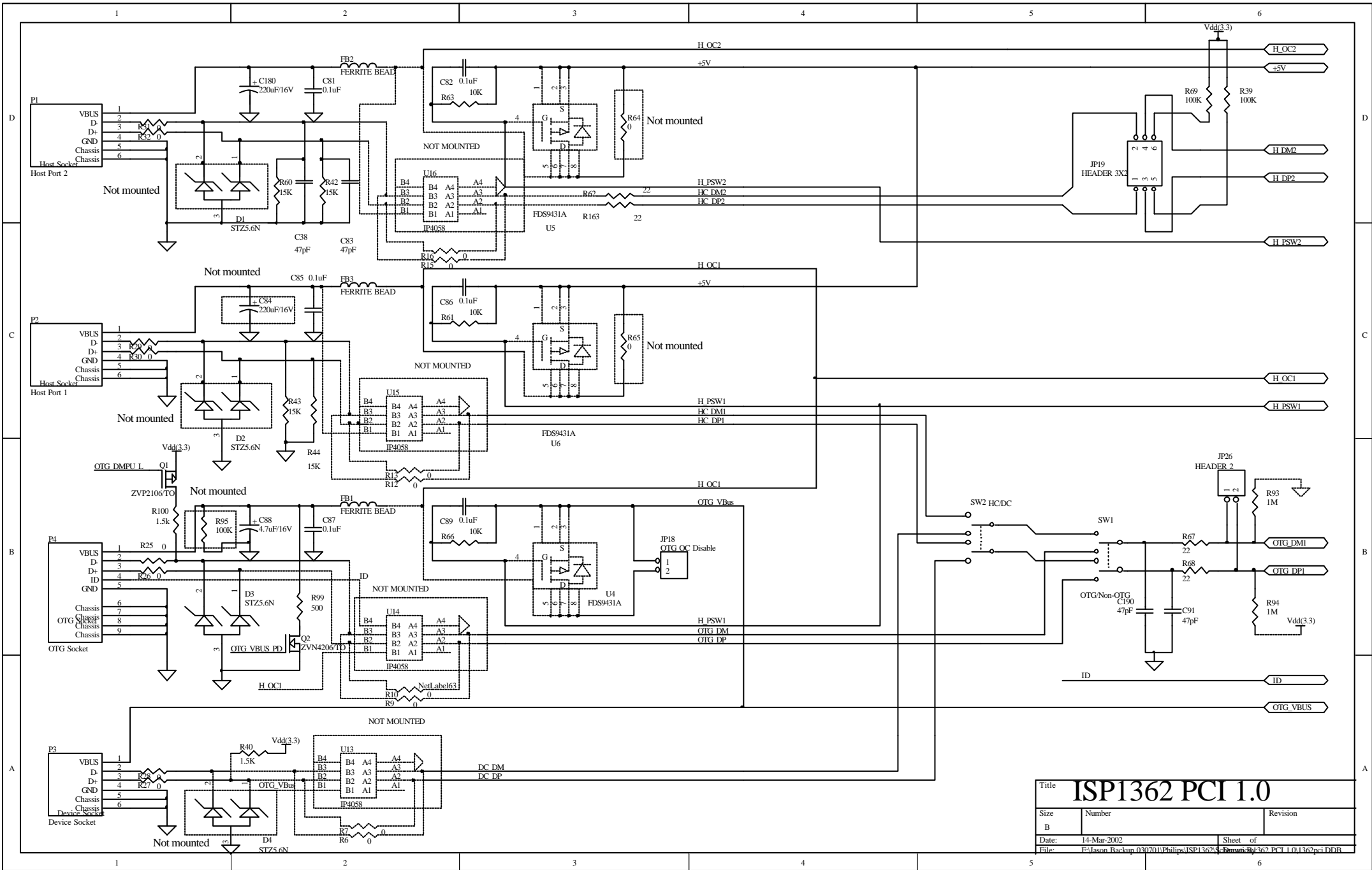
LA14	37	B1
LA13	36	B2
LA12	35	B3
LA11	33	B4
LA10	32	B5
LA9	31	B6
LA8	30	B7
LA7	29	B8
LA6	25	B9
LA5	23	B10
LA4	21	B11
LA3	20	B12
LA2	19	B13
LA1	17	B14
LA0	16	B15

C1	40	LA15
C2	41	LD0
C3	42	LD1
C4	44	LD2
C5	45	LD3
C6	46	LD4
C7	47	LD5
C8	48	LD6
C9	52	LD7
C10	54	LD8
C11	56	LD9
C12	57	LD10
C13	58	LD11
C14	60	LD12
C15	61	LD13
D1	63	LD14
D2	64	LD15
D3	65	CS_N
D4	67	RD_N
D5	68	WR_N
D6	69	DREQ1
D7	75	DREQ2
D8	76	DACK2_N
D9	79	A1
D10	80	A0
D11	81	INT1
D12	83	INT2
D13	84	READY#
D14	85	PME#_NMOS

4	TDI/A8
15	TMS/B16
62	TCK/C16
73	TDOD8

U9	EPM7064AE-10ns	100-pin TQFP
----	----------------	--------------

Title		
ISP1362 PCI 1.0		
Size	Number	Revision
A4		
Date:	3-Jul-2002	Sheet of
File:	F:\JASON Backup\030701\Philips\ISP1362\Schematics\ISP1362 PCI 1.0\1362pci.DDB	162



Title		
ISP1362 PCI 1.0		
Size	Number	Revision
B		
Date:	14-Mar-2002	Sheet of
File:	F:\Jason_Backup\03\0701\Philips\ISP1362\Bom\Bsp1362_PCI_1.0\1362pci.DDR	