

MF0 IC U10 01

120 mm Bumped unsawn wafer on UV-tape contactless single-trip ticket ICs

Rev. 3.2 — 16 March 2007
127632

Product data sheet
PUBLIC

1. General description

1.1 Scope

The MF0 IC U10 01 is a contactless smart card IC designed for card IC coils following the mifare Card IC coil design guide and is qualified to work properly in NXP' reader environment, which is built according to NXP' specification.

This specification describes electrical, physical and dimensional properties of wafers

2. Features

3. Applications

4. Ordering information

Table 1. Ordering information

Type number	Package		
	Name	Description	Ordering Code
MF0ICU1001U/U7D			9352 829 58006

5. Mechanical specification

5.1 Wafer

- Diameter: 200mm
- Thickness: 120 $\mu\text{m} \pm 15 \mu\text{m}$
- PGDW: 62861
- PCM location: reticle area

5.2 Wafer backside

- Material: Si
- Treatment: ground and stress relieve
- Roughness: R_a max. 0.5 μm

R_t max. 5 μm

5.3 Chip dimensions

- Chip size: 0.69 x 0.69 mm
- Scribe line: 66.4 / 86.4 μm
- Pad size:
 - LA, LB 104 x 104 μm
 - TEST, VSS¹ 74 x 74 μm

5.4 Passivation

- Type: sandwich structure
- Material: PSG / Nitride(on top)
- Thickness: 500 nm / 600 nm

5.5 Au bump

- Bump material: > 99.9% pure Au
- Bump hardness: 35 – 80 HV 0.005
- Bump shear strength: > 70 MPa
- Bump height: 18 μm
- Bump height uniformity:
 - within a die: $\pm 2 \mu\text{m}$
 - within a wafer: $\pm 3 \mu\text{m}$
 - wafer to wafer: $\pm 4 \mu\text{m}$
- Bump flatness: $\pm 1.5 \mu\text{m}$
- Bump size:
 - LA, LB, VSS¹ 90 x 90 μm
 - TESTIO¹ 60 x 60 μm
- Bump size variation: $\pm 5 \mu\text{m}$
- Under bump metallization: sputtered TiW

Remark: Substrate is connected to VSS.

5.6 Fail die identification

No inkdots are applied to the wafer.

Electronic wafer mapping (SECS II format) covers the electrical test results and additionally the results of mechanical/visual inspection.

Remark: Substrate is connected to VSS.

1.Pads VSS and TESTIO are disconnected when wafer is sawn.

6. Chip orientation and bondpad locations

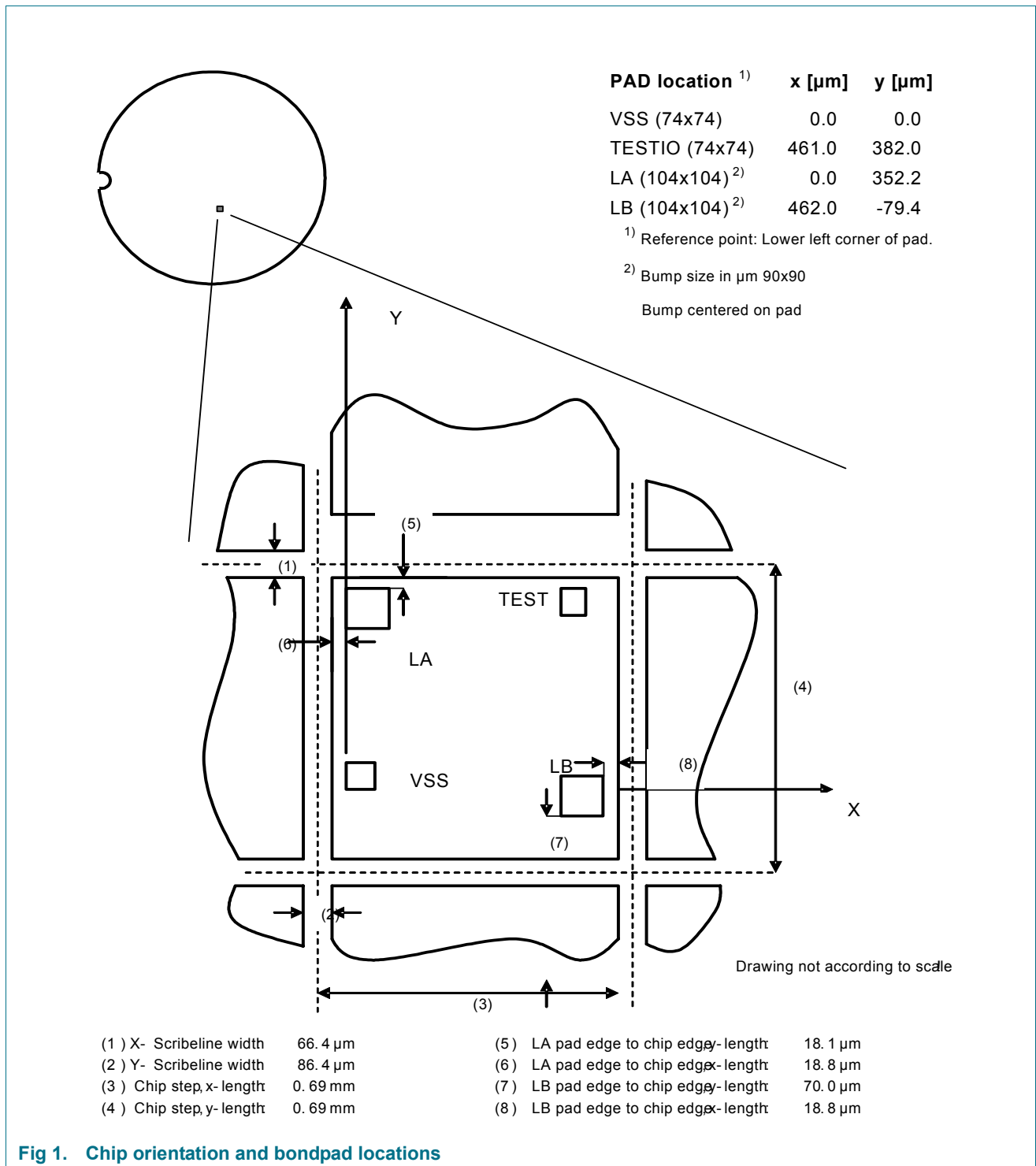


Fig 1. Chip orientation and bondpad locations

7. Limiting values

Table 2. Limiting values [1][2][3][4]

In accordance with the Absolute Maximum Rating System(IEC 134)

Symbol	Parameter	Min	Max	Unit
I_{IN}	Input current	-	30	mA
T_{STOR}	Storage temperature	-55	125	°C
T_{OP}	Operating temperature	-25	70	°C
V_{ESD}	Electrostatic discharge voltage LA-LB [4]	2		kV
I_{LU}	Latchup current	±100		mA

- [1] Stresses above one or more of the limiting values may cause permanent damage to the device
- [2] These are stress ratings only. Operation of the device at these or any other conditions above those given in the Characteristics section of the specification is not implied
- [3] Exposure to limiting values for extended periods may affect device reliability
- [4] MIL Standard 883-C method 3015; Human body model: C = 100 pF, R = 1.5 kΩ

8. Characteristics

8.1 Electrical Characteristics

Table 3. Characteristics [1][2][3]

Symbol	Parameter	Conditions	Min	Typ	Max	Unit
F_{IN}	Input Frequency		-	13.56	-	MHz
C_{IN}	Input capacitance (LCR meter HP4258)	22°C, Cp-D, 13.56 MHz, 2V	14.85	17	20.13	pF
t_W	EEPROM write time		-	3.8	-	ms
t_{RET}	EEPROM data retention		5	-	-	years
N_{WE}	EEPROM write endurance		10000	-	-	cycles

- [1] Stresses above one or more of the limiting values may cause permanent damage to the device
- [2] These are stress ratings only. Operation of the device at these or any other conditions above those given in the Characteristics section of the specification is not implied
- [3] Exposure to limiting values for extended periods may affect device reliability

9. Support information

For additional information, please visit: <http://www.nxp.com>

10. References

- [Data sheet “general specification for 8” wafer on UV-tape with electronic fail die marking”](#)
- [Data sheet “au bumps layout rules and specification”](#)
- [Data sheet “contactless single-trip Tticket IC MF0 IC U1 functional specification”](#)
- [Application note “mifare. card IC coil design guide”](#)

11. Revision history

Table 4. Revision history

Document ID	Release date	Data sheet status	Change notice	Supersedes
127630	July 2006	Initial version		
127631	February 2007	Product data sheet		3.0
127632	16 March 2007	Product data sheet	treatment information	3.1
Modifications:	<ul style="list-style-type: none"> • The format of this data sheet has been redesigned to comply with the new identity guidelines of NXP Semiconductors. • Legal texts have been adapted to the new company name where appropriate. 			

12. Legal information

12.1 Data sheet status

Document status ^{[1][2]}	Product status ^[3]	Definition
Objective [short] data sheet	Development	This document contains data from the objective specification for product development.
Preliminary [short] data sheet	Qualification	This document contains data from the preliminary specification.
Product [short] data sheet	Production	This document contains the product specification.

[1] Please consult the most recently issued document before initiating or completing a design.

[2] The term 'short data sheet' is explained in section "Definitions".

[3] The product status of device(s) described in this document may have changed since this document was published and may differ in case of multiple devices. The latest product status information is available on the Internet at URL <http://www.nxp.com>.

12.2 Definitions

Draft — The document is a draft version only. The content is still under internal review and subject to formal approval, which may result in modifications or additions. NXP Semiconductors does not give any representations or warranties as to the accuracy or completeness of information included herein and shall have no liability for the consequences of use of such information.

Short data sheet — A short data sheet is an extract from a full data sheet with the same product type number(s) and title. A short data sheet is intended for quick reference only and should not be relied upon to contain detailed and full information. For detailed and full information see the relevant full data sheet, which is available on request via the local NXP Semiconductors sales office. In case of any inconsistency or conflict with the short data sheet, the full data sheet shall prevail.

12.3 Disclaimers

General — Information in this document is believed to be accurate and reliable. However, NXP Semiconductors does not give any representations or warranties, expressed or implied, as to the accuracy or completeness of such information and shall have no liability for the consequences of use of such information.

Right to make changes — NXP Semiconductors reserves the right to make changes to information published in this document, including without limitation specifications and product descriptions, at any time and without notice. This document supersedes and replaces all information supplied prior to the publication hereof.

Suitability for use — NXP Semiconductors products are not designed, authorized or warranted to be suitable for use in medical, military, aircraft, space or life support equipment, nor in applications where failure or malfunction of a NXP Semiconductors product can reasonably be expected to

result in personal injury, death or severe property or environmental damage. NXP Semiconductors accepts no liability for inclusion and/or use of NXP Semiconductors products in such equipment or applications and therefore such inclusion and/or use is at the customer's own risk.

Applications — Applications that are described herein for any of these products are for illustrative purposes only. NXP Semiconductors makes no representation or warranty that such applications will be suitable for the specified use without further testing or modification.

Limiting values — Stress above one or more limiting values (as defined in the Absolute Maximum Ratings System of IEC 60134) may cause permanent damage to the device. Limiting values are stress ratings only and operation of the device at these or any other conditions above those given in the Characteristics sections of this document is not implied. Exposure to limiting values for extended periods may affect device reliability.

Terms and conditions of sale — NXP Semiconductors products are sold subject to the general terms and conditions of commercial sale, as published at <http://www.nxp.com/profile/terms>, including those pertaining to warranty, intellectual property rights infringement and limitation of liability, unless explicitly otherwise agreed to in writing by NXP Semiconductors. In case of any inconsistency or conflict between information in this document and such terms and conditions, the latter will prevail.

No offer to sell or license — Nothing in this document may be interpreted or construed as an offer to sell products that is open for acceptance or the grant, conveyance or implication of any license under any copyrights, patents or other industrial or intellectual property rights.

12.4 Trademarks

Notice: All referenced brands, product names, service names and trademarks are the property of their respective owners.

Mifare — is a trademark of NXP B.V.

13. Contact information

For additional information, please visit: <http://www.nxp.com>

For sales office addresses, send an email to: salesaddresses@nxp.com

14. Tables

Table 1. Ordering information	1	Table 3. Characteristics [1][2][3]	4
Table 2. Limiting values [1][2][3][4]	4	Table 4. Revision history	5

15. Figures

Fig 1. Chip orientation and bondpad locations.	3
--	---

16. Contents

1	General description	1
1.1	Scope	1
2	Features	1
3	Applications	1
4	Ordering information	1
5	Mechanical specification	1
5.1	Wafer	1
5.2	Wafer backside	1
5.3	Chip dimensions	2
5.4	Passivation	2
5.5	Au bump	2
5.6	Fail die identification	2
6	Chip orientation and bondpad locations	3
7	Limiting values	4
8	Characteristics	4
8.1	Electrical Characteristics	4
9	Support information	4
10	References	5
11	Revision history	5
12	Legal information	6
12.1	Data sheet status	6
12.2	Definitions	6
12.3	Disclaimers	6
12.4	Trademarks	6
13	Contact information	6
14	Tables	7
15	Figures	7
16	Contents	7

Please be aware that important notices concerning this document and the product(s) described herein, have been included in section 'Legal information'.

founded by

PHILIPS

© NXP B.V. 2007.

All rights reserved.

For more information, please visit: <http://www.nxp.com>

For sales office addresses, please send an email to: salesaddresses@nxp.com

Date of release: 16 March 2007

Document identifier: 127632