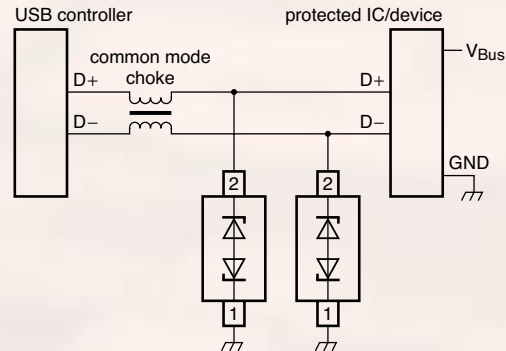


Number of protected lines	I_{RM} @ V_{RWM} max (mA) (V)	C_{line} typ (pF)	PPP * max (W)	ESD rating ** max (kV)	Configuration	Type	Package	Size (mm)
1	0.1	5	25	10		PESD5V0U1BA PESD5V0U1BB PESD5V0U1BL	SOD323 (SC-76) SOD523 (SC-79) SOD882	1.7 x 1.25 x 0.95 1.2 x 0.8 x 0.6 1.0 x 0.6 x 0.5
2						PESD5V0U2BT	SOT23	2.9 x 1.3 x 1.0

* 8/20 μ s surge pulse acc. to IEC61000-4-5
** acc. to IEC61000-4-2 (contact discharge)



Ultra-low capacitance ESD protection diodes

With applications getting smaller, ICs getting denser and data rates getting faster, today's electronic circuits are increasingly sensitive to electrostatic discharge (ESD). To help you overcome this, NXP Semiconductors offers a series of ultra-low capacitance ESD protection diodes that match your design requirements. The PESD5V0U1BA/BB/BL and PESD5V0U2BT diodes provide bidirectional ESD protection up to 10 kV. Leakage current is also extremely low at just 5 nA. They are perfect for ultra high-speed applications ranging from cellular handsets and antenna protection to USB interfaces and high-speed data lines. The extremely small size ensures maximum PCB layout compactness and flexibility.

What if you could find ESD protection diodes with ultra-low capacitance and ultra-small size?

NXP develops vibrant media technologies that help bring your ideas to life. Our innovative solutions enhance images, sharpen sound and simplify information sharing. Find out more about these diodes that offer level-4 ESD protection in accordance with IEC 61000-4-2 on our website

www.nxp.com/ad/esdprotection



What if you could

