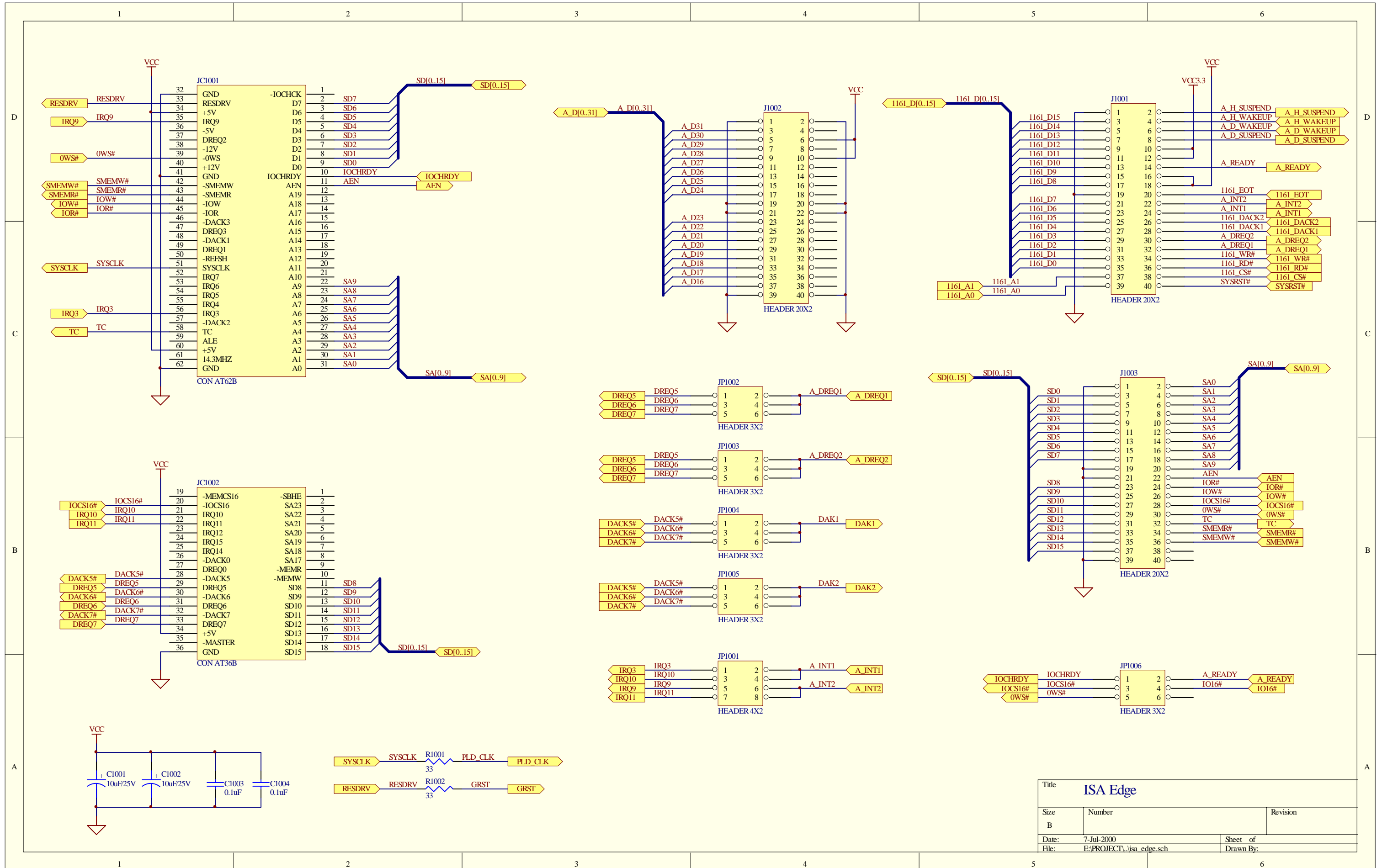
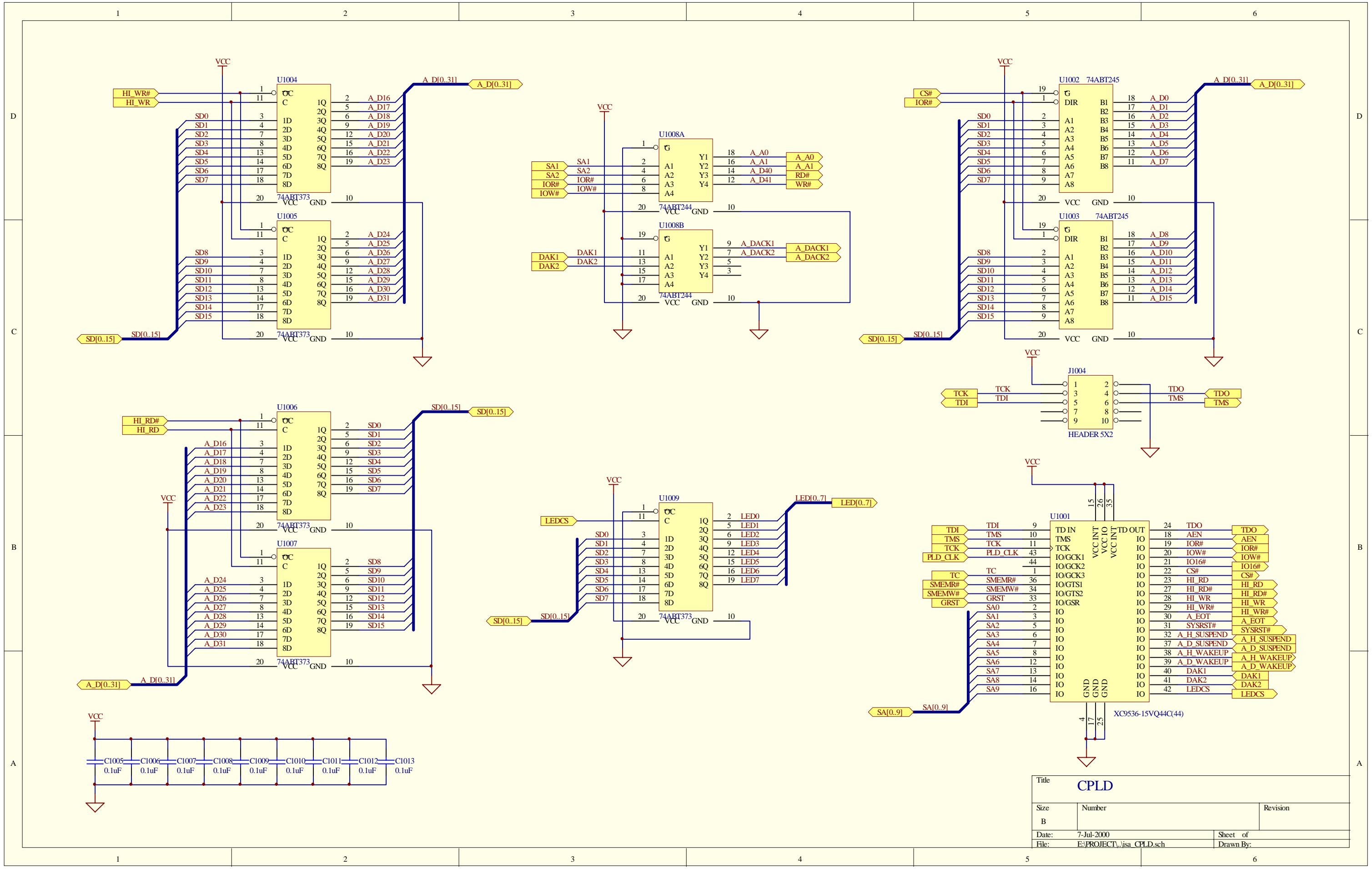


ISP1161/2 ISA Interface Board V1.0
 ISP1161/2 Evaluation Board

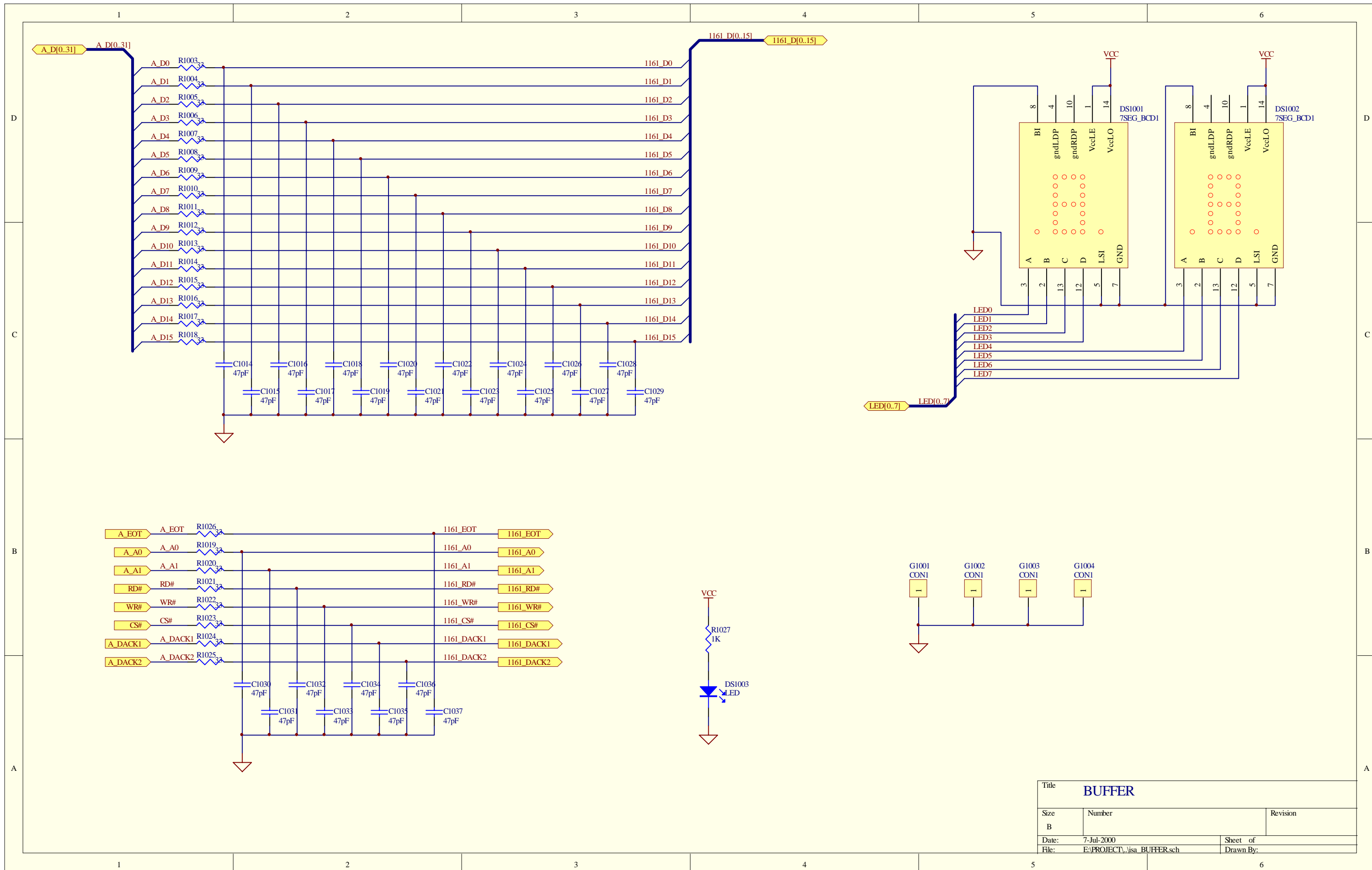
Title		
Size	Number	Revision
A		
Date:	7-Jul-2000	Sheet of
File:	E:\PROJECT\isaneval.prj	Drawn By:



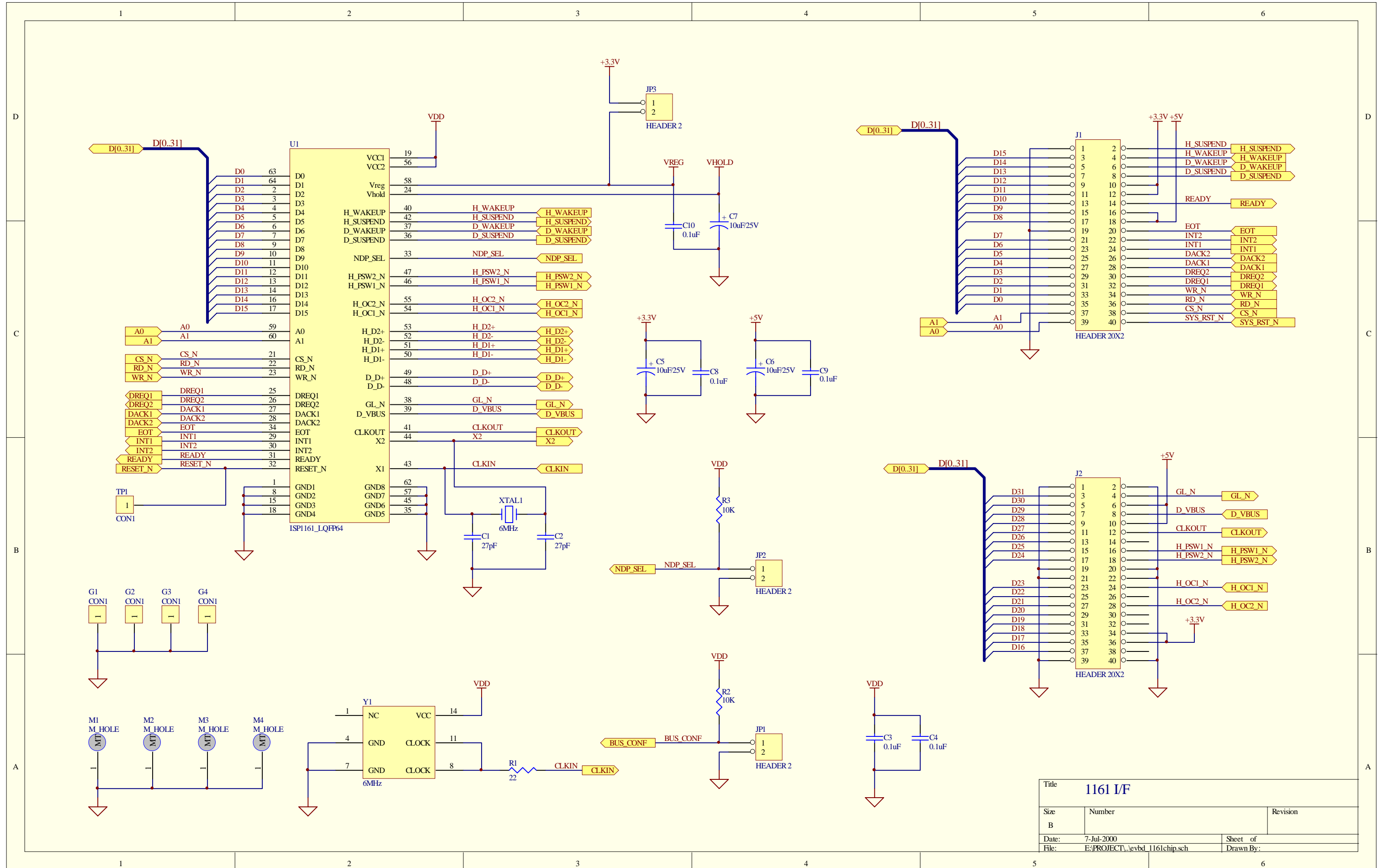
Title			ISA Edge
Size	Number	Revision	
B			
Date:	7-Jul-2000	Sheet of	
File:	E:\PROJECT\isa_edge.sch	Drawn By:	



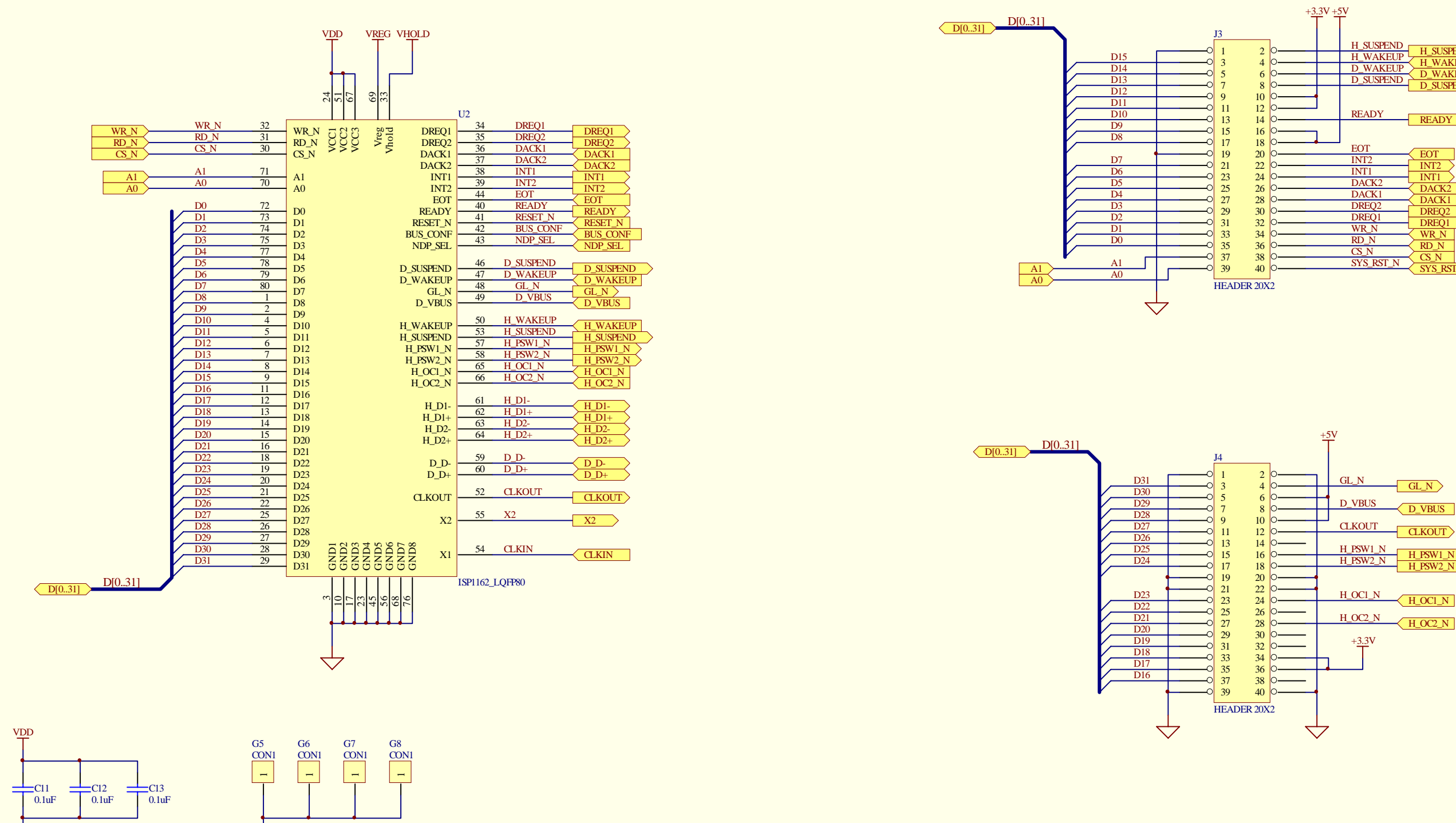
Title		
CPLD		
Size	Number	Revision
B		
Date:	7-Jul-2000	Sheet of
File:	E:\PROJECT\...isa_CPLD.sch	Drawn By:



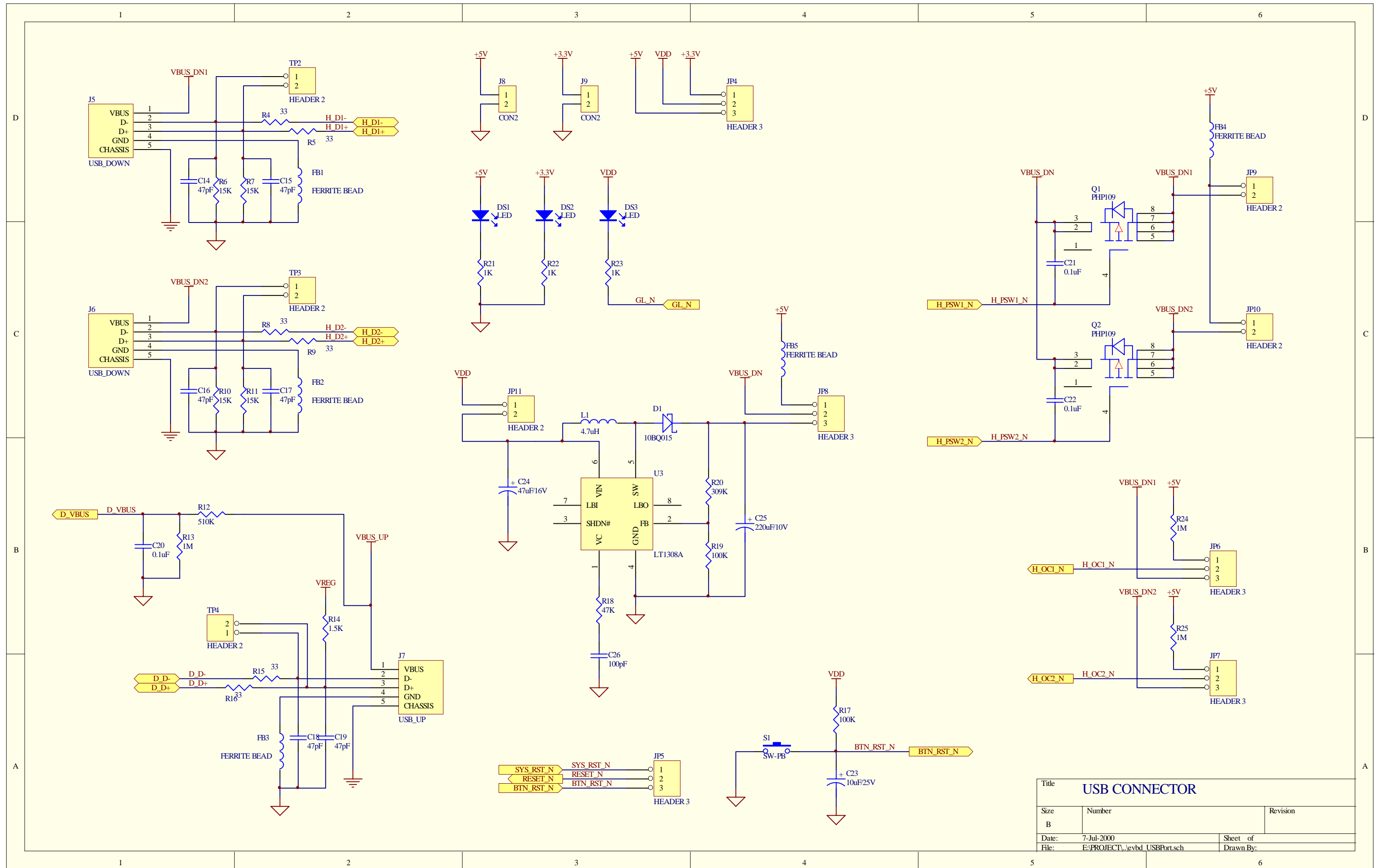
Title		
BUFFER		
Size	Number	Revision
B		
Date:	7-Jul-2000	Sheet of
File:	E:\PROJECT\isa_BUFFER.sch	Drawn By:



Title			1161 I/F		
Size	Number		Revision		
B					
Date:	7-Jul-2000		Sheet of		
File:	E:\PROJECT\levbd_1161chip.sch		Drawn By:		



Title		
1162 I/F		
Size	Number	Revision
B		
Date:	7-Jul-2000	Sheet of
File:	E:\PROJECT\evbd_1162chip.sch	Drawn By:



Title		
USB CONNECTOR		
Size	Number	Revision
B		
Date:	7-Jul-2000	Sheet of
File:	E:\PROJECT\evbd USBPort.sch	Drawn By: