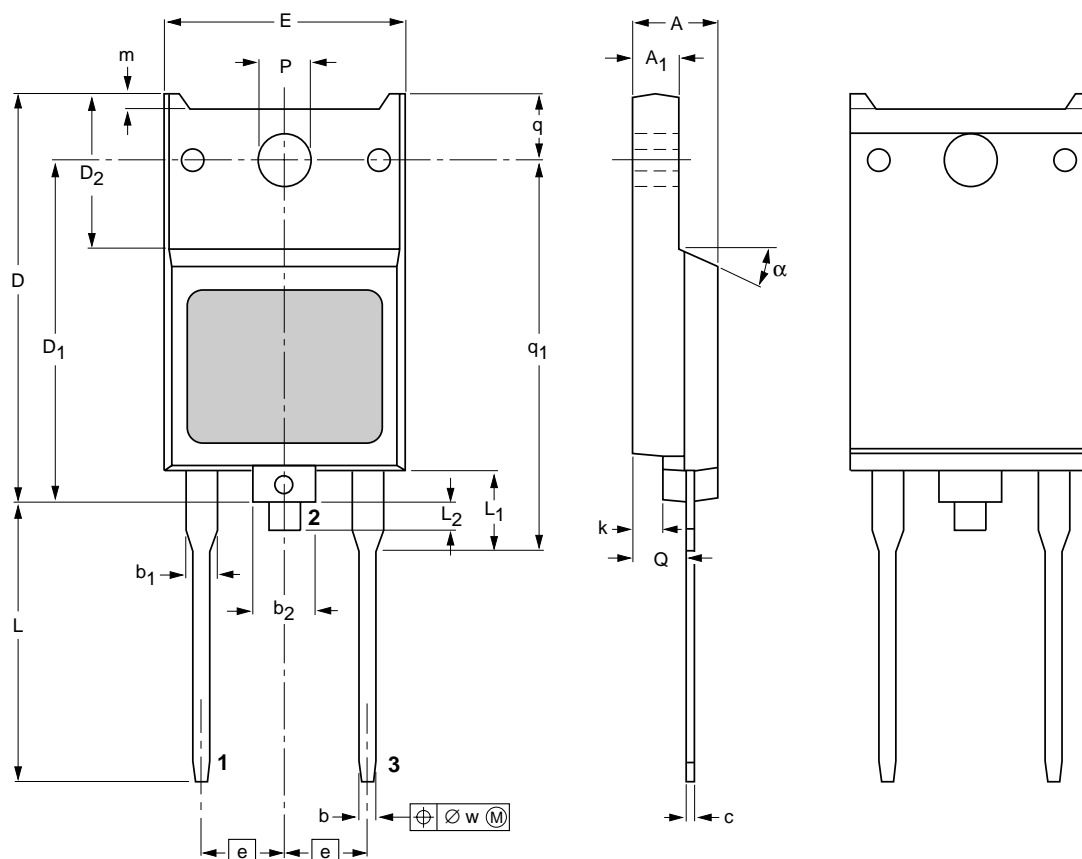


Plastic single-ended through-hole package; mountable to heatsink; 1 mounting hole;  
3 in-line leads (one lead cropped)

SOD117



**DIMENSIONS** (mm are the original dimensions)

UNIT	A	A <sub>1</sub>	b	b <sub>1</sub>	b <sub>2</sub>	c	D	D <sub>1</sub>	D <sub>2</sub>	E	e	k	L	L <sub>1</sub> <sup>(1)</sup>	L <sub>2</sub>	m	P	Q	q	q <sub>1</sub>	w	α
mm	5.8 4.8	3.3 2.7	1.2 0.9	2.2 1.8	4.7 4.2	0.9 0.6	27 26	22.5 21.5	10.2 9.9	16 15	5.45	2.2 1.8	19.1 18.1	5.4 4.8	3.0 1.0	0.8 0.6	3.4 3.1	3.4 3.2	4.7 4.3	25.7 25.1	0.4	27° 23°

**Note**

1. Tinning of terminals are uncontrolled within zone L<sub>1</sub>.

OUTLINE VERSION	REFERENCES				EUROPEAN PROJECTION	ISSUE DATE
	IEC	JEDEC	EIAJ			
SOD117						98-11-06