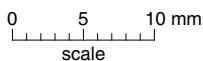
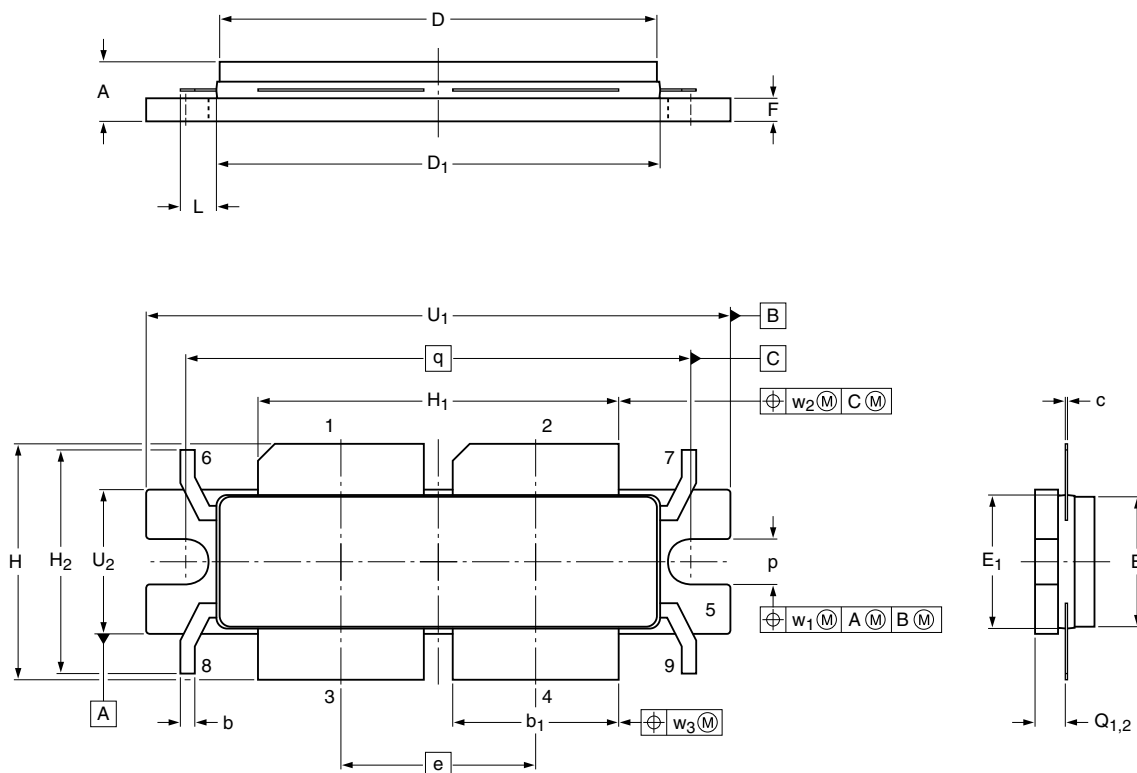


## Plastic flanged cavity package; 2 mounting slots; 8 leads

SOT1006A



U <sub>1</sub>	U <sub>2</sub>	w <sub>1</sub>	w <sub>2</sub>	w <sub>2</sub>
41.28	10.29			
		0.25	0.51	0.25
41.02	10.03			
1.625	0.405			
		0.01	0.02	0.01
1.615	0.395			

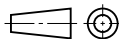
### Dimensions

Unit <sup>(1)</sup>	A	b	b <sub>1</sub>	c	D	D <sub>1</sub>	E	E <sub>1</sub>	e	F	H	H <sub>1</sub>	H <sub>2</sub>	L	p	Q <sub>1</sub> <sup>(2)</sup>	Q <sub>2</sub> <sup>(2)</sup>	q
mm	max	4.52	1.14	11.81	0.2	30.91	31.39	9.27	9.53		17.12	25.53	15.88	2.67	3.33	2.36	2.5	
	nom								13.72		17.12	25.53	15.88	2.67	3.33	2.36	2.5	35.56
inches	max	0.178	0.045	0.465	0.008	1.217	1.236	0.365	0.375		0.674	1.005	0.625	0.105	0.131	0.093	0.098	
	nom								0.54		0.674	1.005	0.625	0.105	0.131	0.093	0.098	1.40
	min	0.168	0.035	0.455	0.004	1.207	1.224	0.355	0.365		0.634	0.995	0.615	0.095	0.121	0.083	0.079	

### Notes

1. millimeter dimensions are derived from the original inch dimensions.
2. Q<sub>1</sub> applies to pin 1, pin 2, pin 3 and pin 4; Q<sub>2</sub> applies to pin 6, pin 7, pin 8 and pin 9.

sot1006a\_po

Outline version	References			European projection	Issue date
	IEC	JEDEC	JEITA		
SOT1006A					-08-12-10- 08-12-15