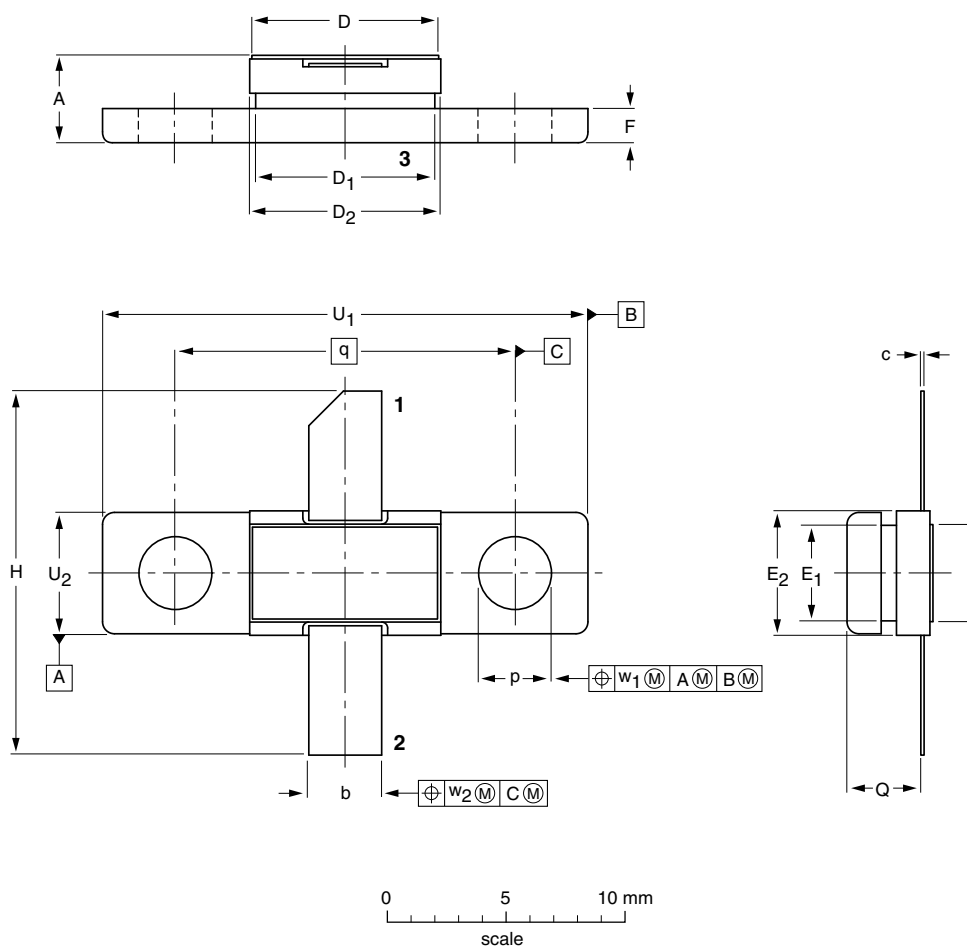



## Flanged hermetic ceramic package; 2 mounting holes; 2 leads

SOT445A



### DIMENSIONS (mm are the original dimensions)

UNIT	A	b	c	D	D <sub>1</sub>	D <sub>2</sub>	E	E <sub>1</sub>	E <sub>2</sub>	F	H	p	Q	q	U <sub>1</sub>	U <sub>2</sub>	w <sub>1</sub>	w <sub>2</sub>
mm	4.01 3.36	3.15 2.95	0.15 0.09	7.9 7.7	7.65 7.35	8.15 7.85	4.1 3.9	4.25 3.95	5.31 5.01	1.67 1.37	15.84 14.64	3.35 3.05	3.33 3.03	14.22	20.47 20.17	5.18 4.98	0.30	0.51
inches	0.158 0.132	0.125 0.115	0.006 0.003	0.312 0.303	0.302 0.289	0.321 0.309	0.162 0.153	0.168 0.155	0.210 0.197	0.066 0.054	0.624 0.576	0.132 0.120	0.132 0.119	0.56	0.806 0.794	0.204 0.196	0.012	0.020

OUTLINE VERSION	REFERENCES			EUROPEAN PROJECTION	ISSUE DATE
	IEC	JEDEC	EIAJ		
SOT445A					99-03-29