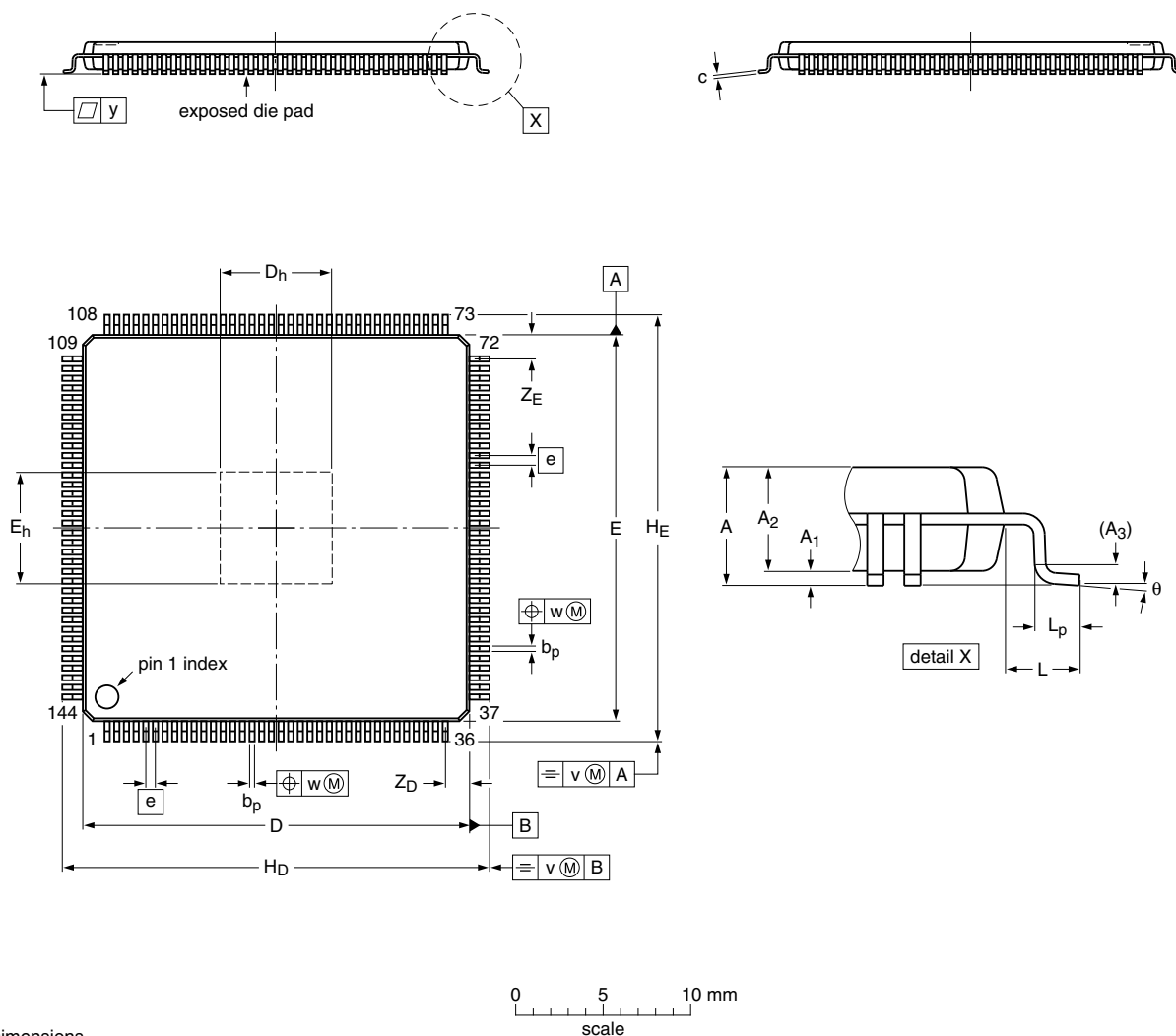


HLQFP144: plastic thermal enhanced low profile quad flat package; 144 leads
body 20 x 20 x 1.4 mm; exposed diepad

SOT612-5



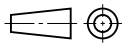
Dimensions

Unit	A	A ₁	A ₂	A ₃	b _p	c	D ⁽¹⁾	D _h	E ⁽¹⁾	E _h	e	H _D	H _E	L	L _p	v	w	y	Z _D ⁽¹⁾	Z _E ⁽¹⁾	θ
max	1.60	0.15	1.45		0.27	0.20	20.1	6.5	20.1	6.5		22.15	22.15		0.75		0.08	0.08	1.40	1.40	7°
nom	1.50	0.10	1.40	0.25	0.22	0.15	20.0	6.4	20.0	6.4	0.5	22.00	22.00	1	0.60	0.2	0.08	0.08	1.25	1.25	
min	1.40	0.05	1.35		0.17	0.09	19.9	6.3	19.9	6.3		21.85	21.85		0.45				1.10	1.10	0°

Note

1. Plastic or metal protrusions of 0.25 mm maximum per side are not included.

sot612-5_po

Outline version	References			European projection	Issue date
	IEC	JEDEC	JEITA		
SOT612-5		MS-026			08-11-19 08-11-21