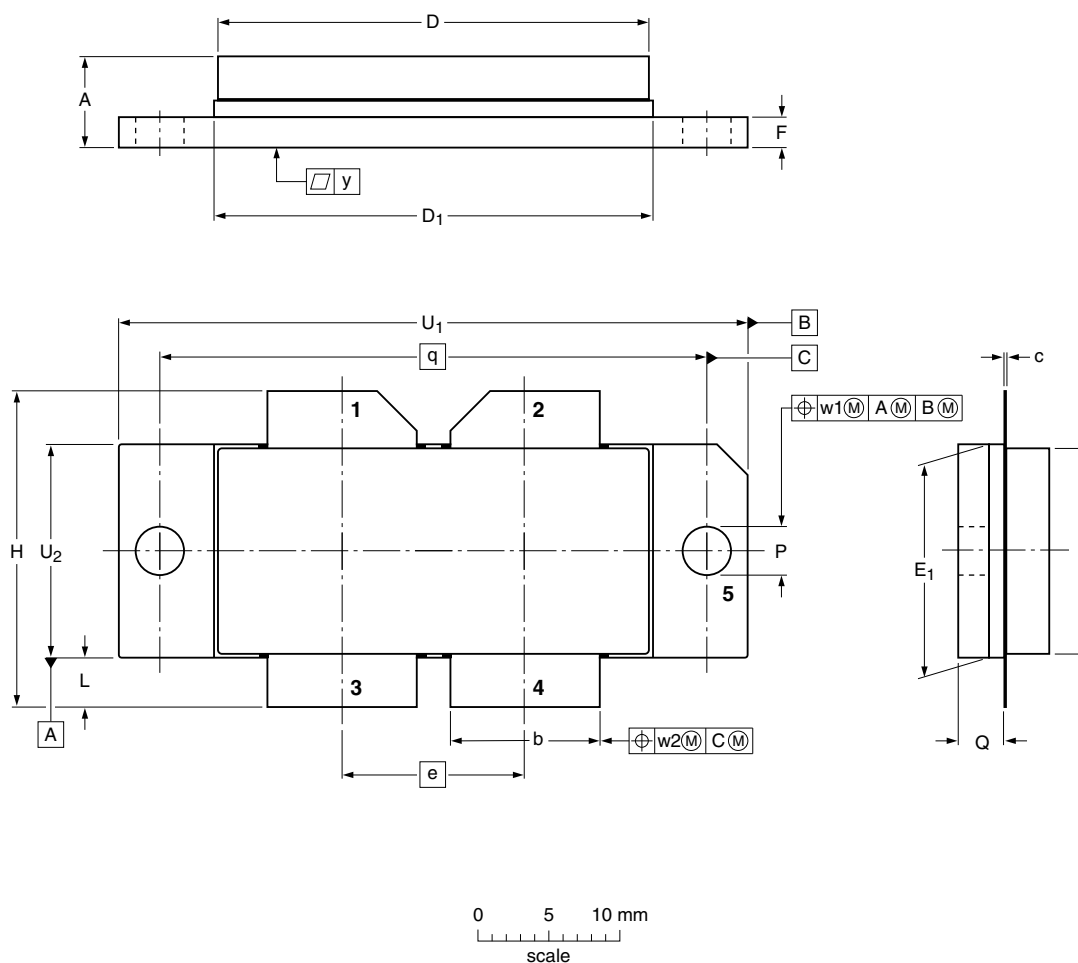


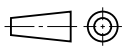
Flanged LDMOST ceramic package; 2 mounting holes; 4 leads

SOT800-1



DIMENSIONS (millimetre dimensions are derived from the original inch dimensions)

UNIT	A	b	c	D	D ₁	E	E ₁	e	F	H	L	p	Q	q	U ₁	U ₂	w ₁	w ₂	y
mm	6.6 6.2	10.55 10.45	0.15 0.10	30.5 29.9	31.1 30.9	14.6 14.4	15.3 15.1	12.7	2.26 2.00	22.8 21.8	3.7 3.3	3.56 3.49	3.4 3.1	38.5	44.5 44.2	15.4 15.0	0.25	0.25	0.05
inches	0.260 0.244	0.415 0.411	0.006 0.004	1.201 1.177	1.224 1.216	0.575 0.567	0.602 0.594	0.5	0.089 0.079	0.898 0.858	0.146 0.130	0.140 0.137	0.134 0.122	1.516	1.752 1.740	0.606 0.591	0.01	0.01	0.002

OUTLINE VERSION	REFERENCES				EUROPEAN PROJECTION	ISSUE DATE
	IEC	JEDEC	JEITA			
SOT800-1						-05-06-02 05-06-07