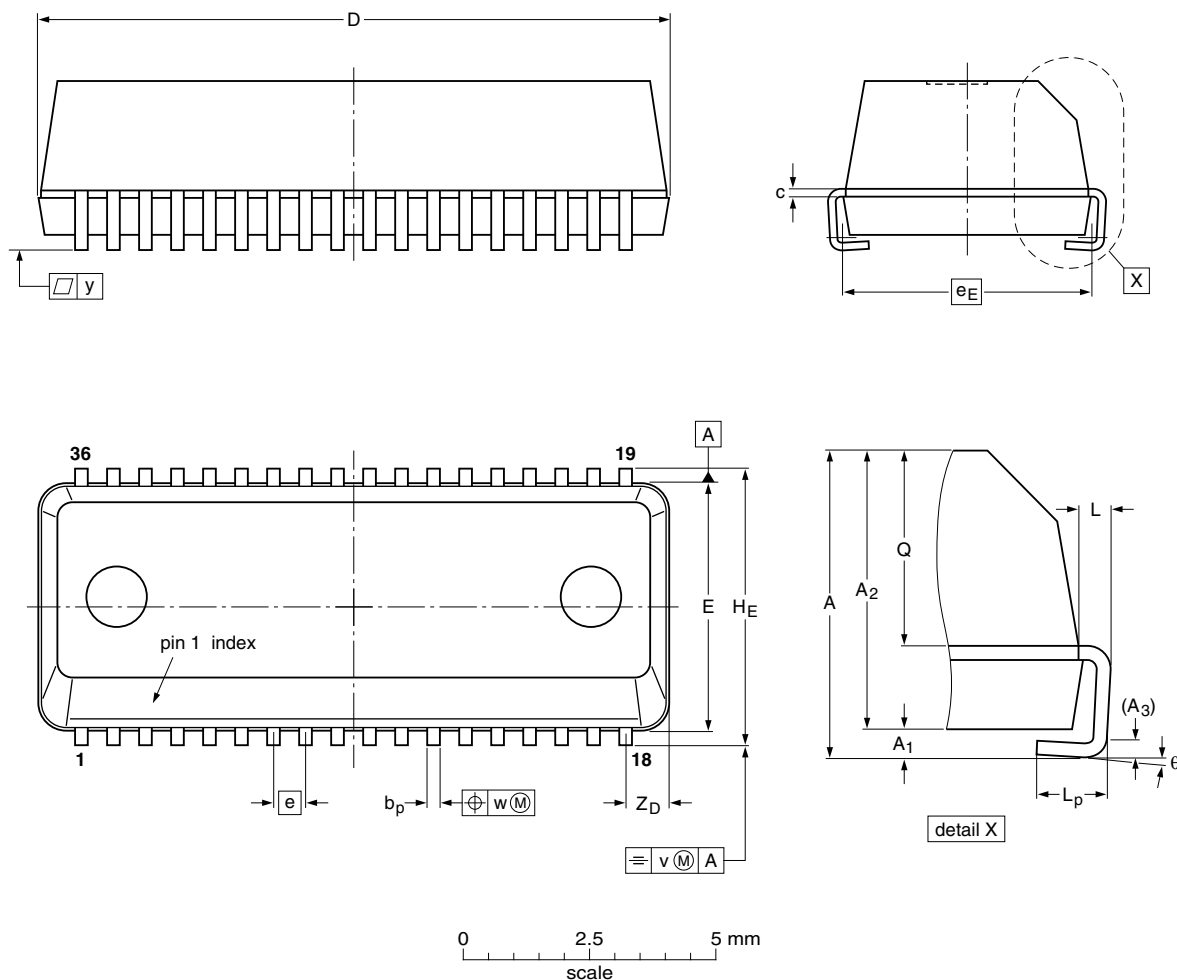


SOJ36: plastic small outline package; 36 leads (J-bent); body width 4.9 mm

SOT867-1

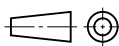


DIMENSIONS (mm are the original dimensions)

UNIT	A ⁽¹⁾ max	A ₁	A ₂	A ₃	b _p	c	D ⁽¹⁾	E ⁽¹⁾	e	e _E	H _E	L	L _p	Q	v	w	y	Z _D ⁽¹⁾	θ
mm	3.5	0.45 0.15	3.2 2.8	0.25	0.3 0.2	0.15	12.65 12.35	5.0 4.8	0.635	4.94	5.6 5.4	0.35	1.08 0.48	2.2 2.0	0.2	0.13	0.1	1.1 0.6	15° 0°

Note

1. Plastic or metal protrusions of 0.25 mm maximum per side are not included

OUTLINE VERSION	REFERENCES			EUROPEAN PROJECTION	ISSUE DATE
	IEC	JEDEC	JEITA		
SOT867-1	---	---	---		04-11-22 04-12-14