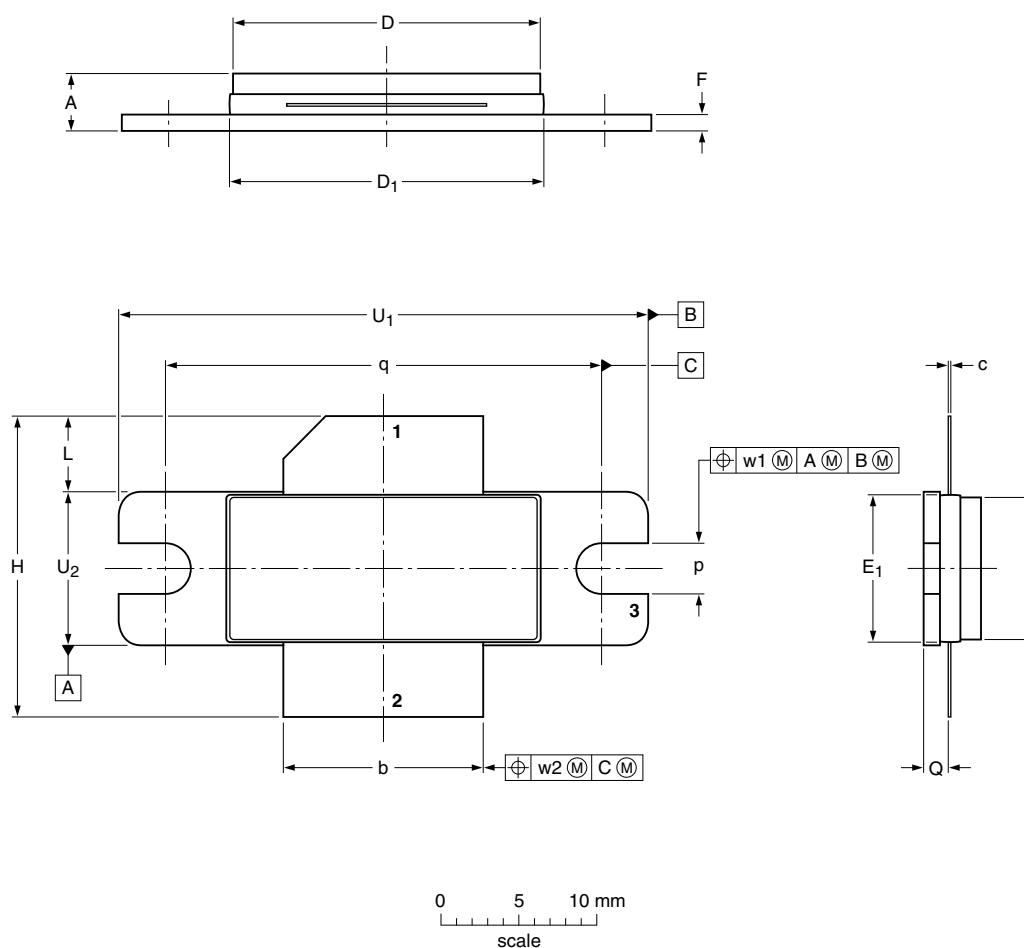


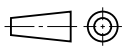
Plastic flanged cavity package; 2 mounting slots; 2 leads

SOT895A



DIMENSIONS (mm are the original dimensions)

UNIT	A	b	c	D	D ₁	E	E ₁	F	H	L	p	Q	q	U ₁	U ₂	w ₁	w ₂
mm	4.1 3.3	12.83 12.57	0.17 0.14	19.9 19.7	20.42 20.12	9.53 9.27	9.78 9.53	1.14 0.89	19.94 18.92	5.3 4.5	3.38 3.12	1.75 1.50	27.94	34.16 33.91	9.98 9.65	0.25	0.6
inches	0.161 0.130	0.505 0.495	0.0065 0.0055	0.785 0.775	0.804 0.792	0.375 0.365	0.385 0.375	0.045 0.035	0.785 0.745	0.209 0.177	0.133 0.123	0.069 0.059	1.100	1.345 1.335	0.392 0.380	0.01	0.023

OUTLINE VERSION	REFERENCES				EUROPEAN PROJECTION	ISSUE DATE
	IEC	JEDEC	JEITA			
SOT895A						06-02-21 06-04-03