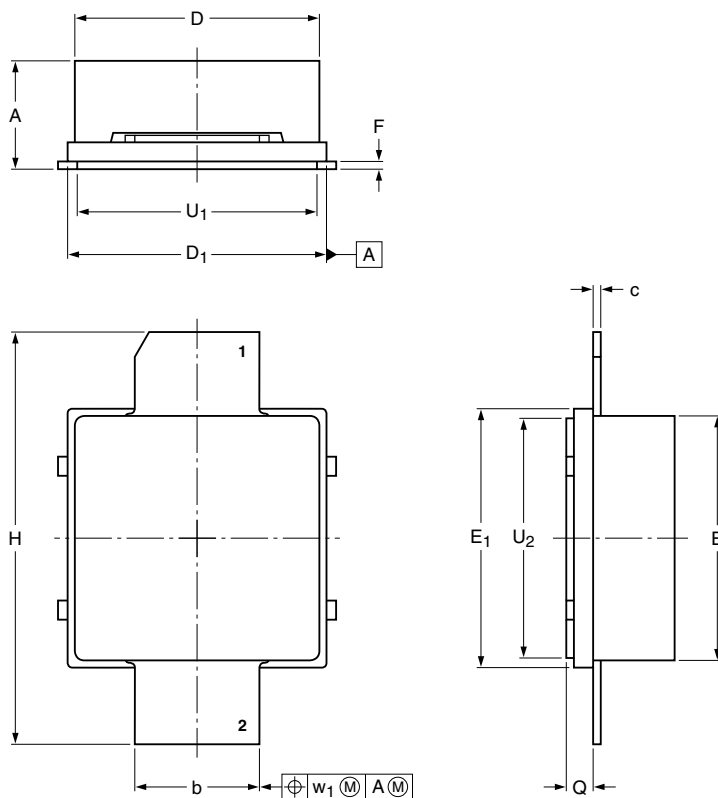


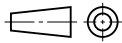
Earless flanged ceramic package; 2 leads

SOT975B



DIMENSIONS (millimetre dimensions are derived from the original inch dimensions)

UNIT	A	b	c	D	D ₁	E	E ₁	F	H	Q	U ₁	U ₂	w ₁
mm	3.63 3.05	3.38 3.23	0.23 0.18	6.55 6.40	6.93 6.78	6.55 6.40	6.93 6.78	0.23 0.18	11.05 10.80	0.76 0.66	6.43 6.27	6.43 6.27	0.51
inches	0.143 0.120	0.133 0.127	0.009 0.007	0.258 0.252	0.273 0.267	0.258 0.252	0.273 0.267	0.009 0.007	0.435 0.425	0.030 0.026	0.253 0.247	0.253 0.247	0.02

OUTLINE VERSION	REFERENCES			EUROPEAN PROJECTION	ISSUE DATE
	IEC	JEDEC	JEITA		
SOT975B					06-11-03 07-09-28