



# 32位微处理器

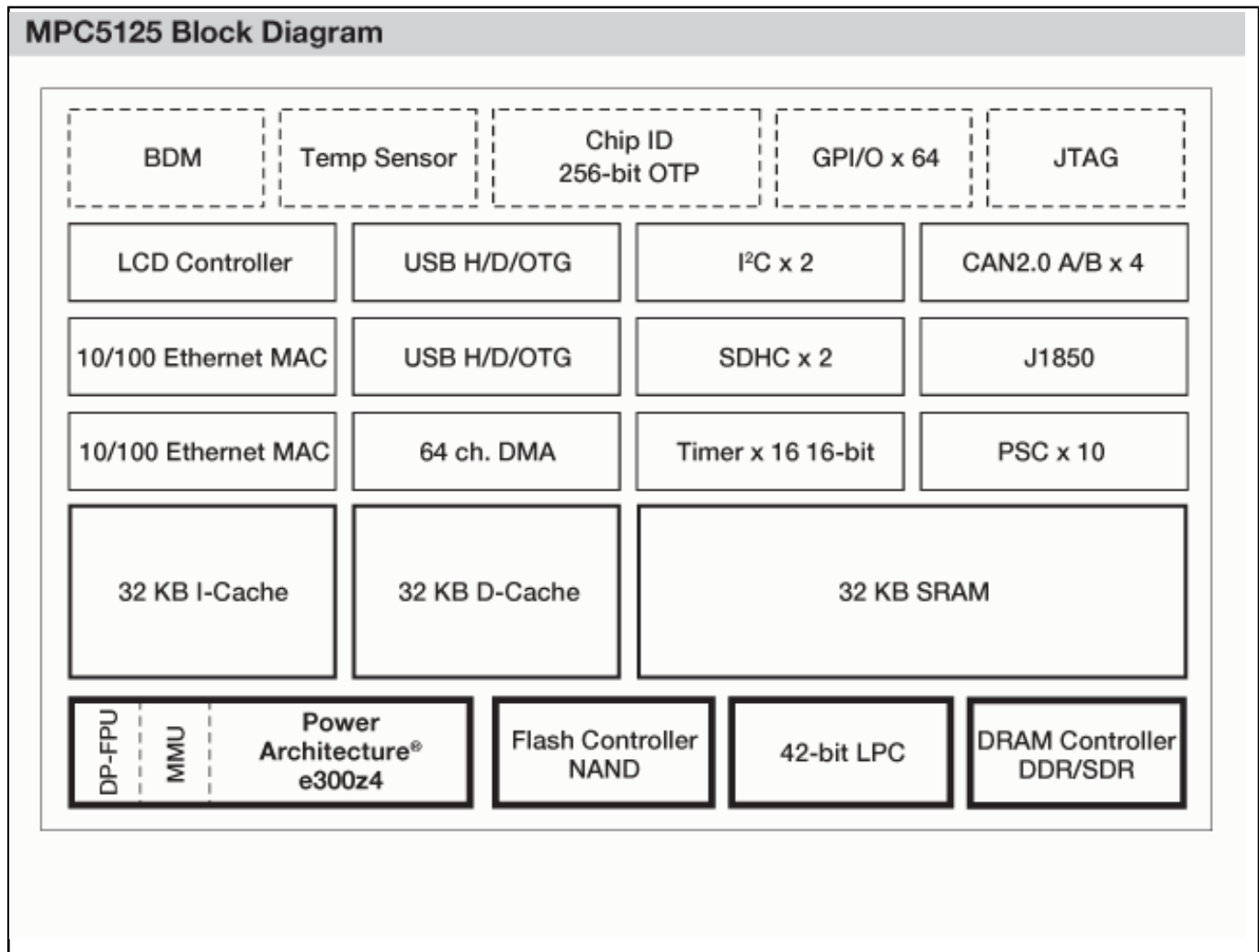
## MPC5125

Last Updated: Apr 8, 2022

MPC5125是一个经济、低功耗的汽车、工业网络和人机界面（HMI）解决方案。它有助于缩短开发时间，以具有竞争力的价格提供更多通信外设和超低功耗，而不牺牲性能。

MPC5125属于移动GT系列处理器。恩智浦与移动GT联盟成员公司紧密合作，提供广泛的固件和软件驱动支持。其中包括支持Green Hills、QNX和Wind River的主流实时操作系统，以及开源Linux® 解决方案。

## mobileGT MPC5125 Microcontroller Block Diagram Block Diagram



View additional information for [32位微处理器](#).

**Note:** The information on this document is subject to change without notice.

[www.nxp.com](http://www.nxp.com)

NXP and the NXP logo are trademarks of NXP B.V. All other product or service names are the property of their respective owners. The related technology may be protected by any or all of patents, copyrights, designs and trade secrets. All rights reserved. © 2024 NXP B.V.