



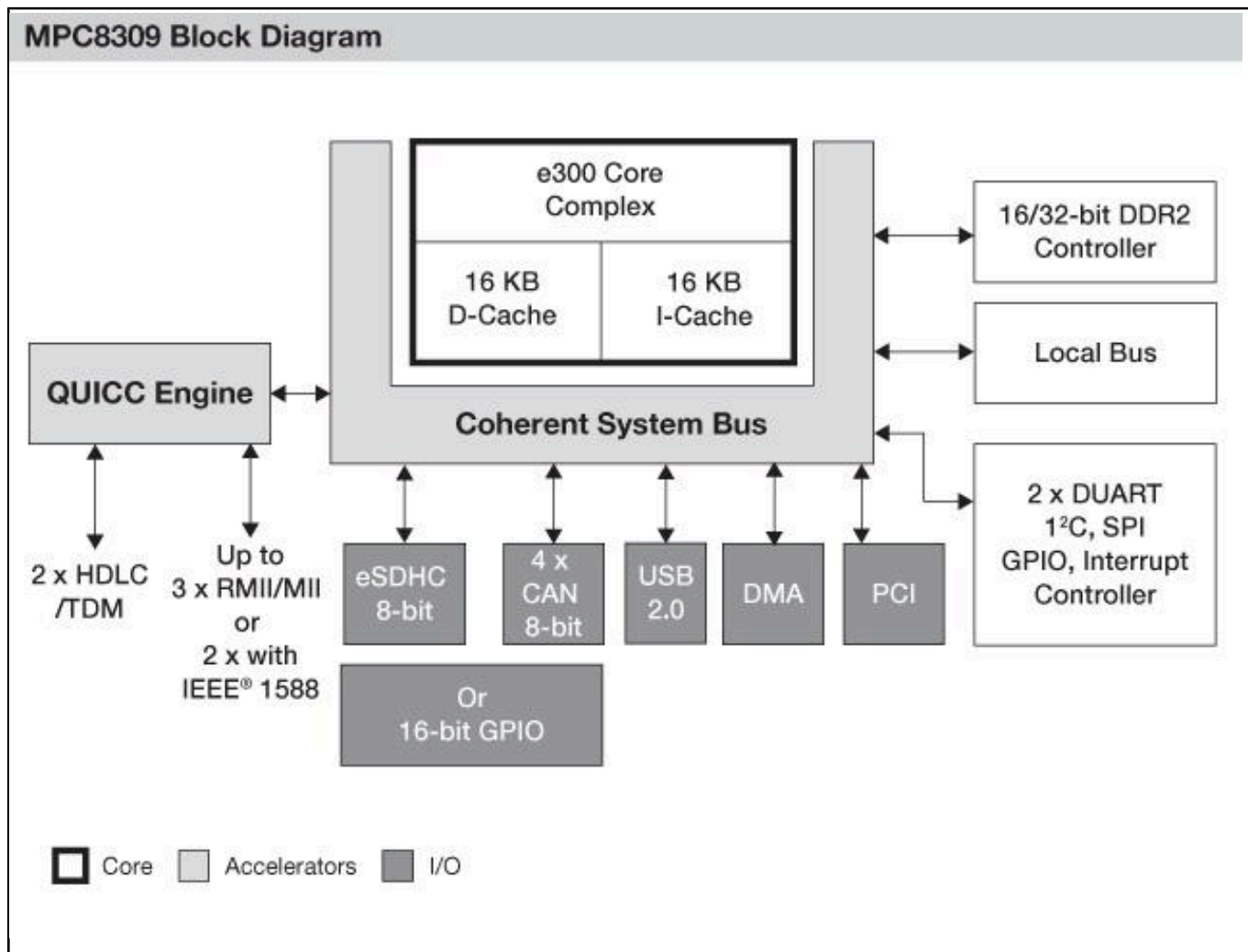
低功率**Low-Power PowerQUICC®** **II**处理器，带 DDR2、eSDHC和**128** 个通道。HDLC/TDM，10/100以太 网，USB，IEEE® **1588**

MPC8309

Last Updated: Apr 9, 2022

MPC8309 PowerQUICC® II Pro是经济高效的网络通信处理器MPC830x系列的一员，它能满足多协议控制应用的需求。与目前的PowerQUICC II处理器相比，它能提供更好的CPU性能、额外的功能和高快速的接口，并满足上市时间、价格、功耗和板上空间等重要要求。

Freescale PowerQUICC MPC8309 Communications Processor Block Diagram Block Diagram



View additional information for [低功率Low-Power PowerQUICC[®] II处理器](#)，带 DDR2、eSDHC和128个通道。HDLC/TDM，10/100以太网，USB，IEEE[®] 1588.

Note: The information on this document is subject to change without notice.

www.nxp.com

NXP and the NXP logo are trademarks of NXP B.V. All other product or service names are the property of their respective owners. The related technology may be protected by any or all of patents, copyrights, designs and trade secrets. All rights reserved. © 2024 NXP B.V.