



# 面向汽车应用的**5 W**无线充电发射器**IC**

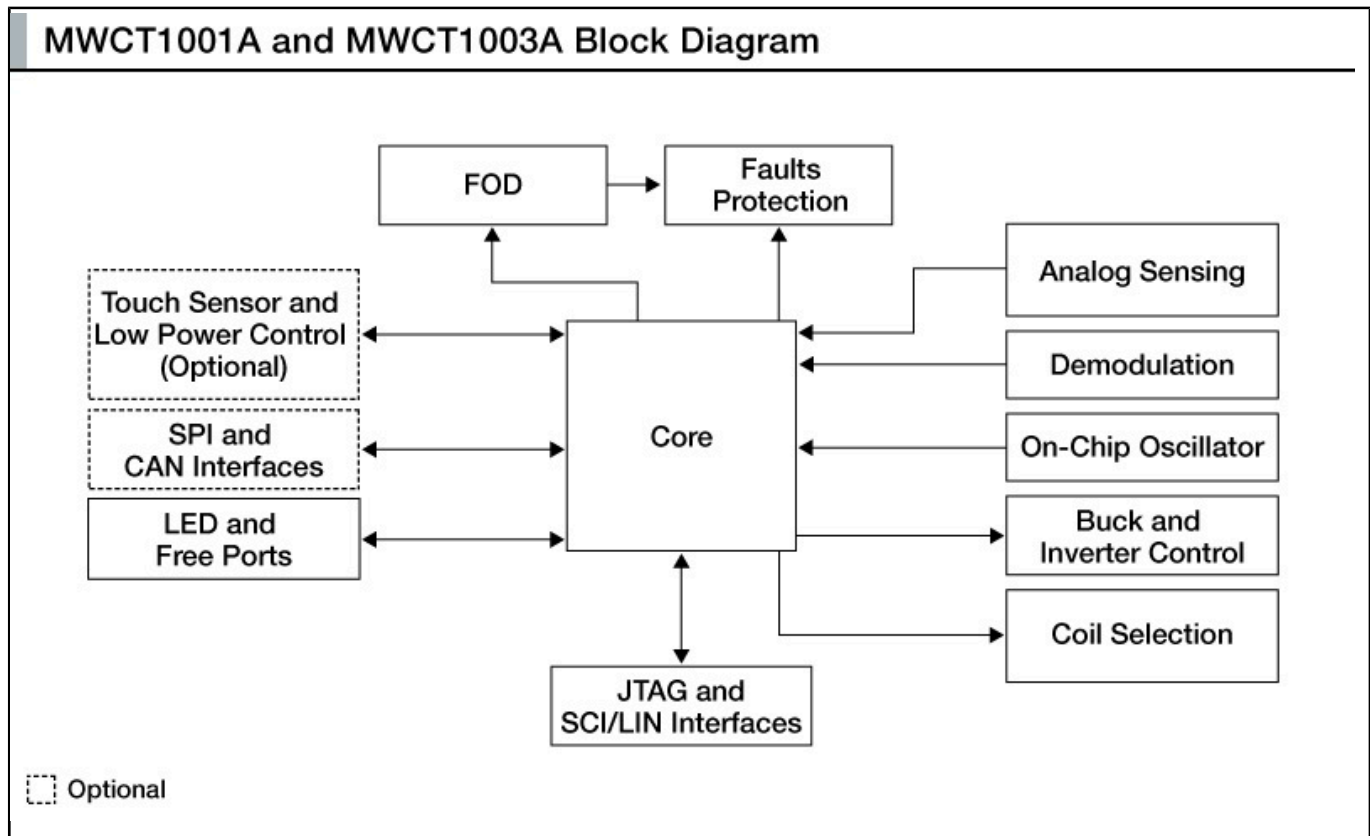
## **MWCT1x0xA**

Last Updated: Apr 9, 2022

恩智浦MWCT1001A和MWCT1003A多线圈无线充电发送器IC可提供实施汽车无线充电发送器解决方案所需的全部控制器功能。

- 实施和控制功率传输功能、监控和管理系统整体状态，如异物检测，温度和系统效率监控
- 标准解决方案和高级解决方案提供可扩展性和差异性，以及一个全功能的、符合行业标准的系统解决方案
- 恩智浦提供了升级到WCT1003A的路径，包含定制应用和实现最大差异性所需的额外硬件和软件资源

## MWCT1XXXA Block diagram Block Diagram



View additional information for [面向汽车应用的5 W无线充电发射器IC](#).

Note: The information on this document is subject to change without notice.

[www.nxp.com](http://www.nxp.com)

NXP and the NXP logo are trademarks of NXP B.V. All other product or service names are the property of their respective owners. The related technology may be protected by any or all of patents, copyrights, designs and trade secrets. All rights reserved. © 2024 NXP B.V.