



多媒体应用处理器 - 集成电纸书显示屏 (EPD)，高性能，ARM® Cortex®-A8内核

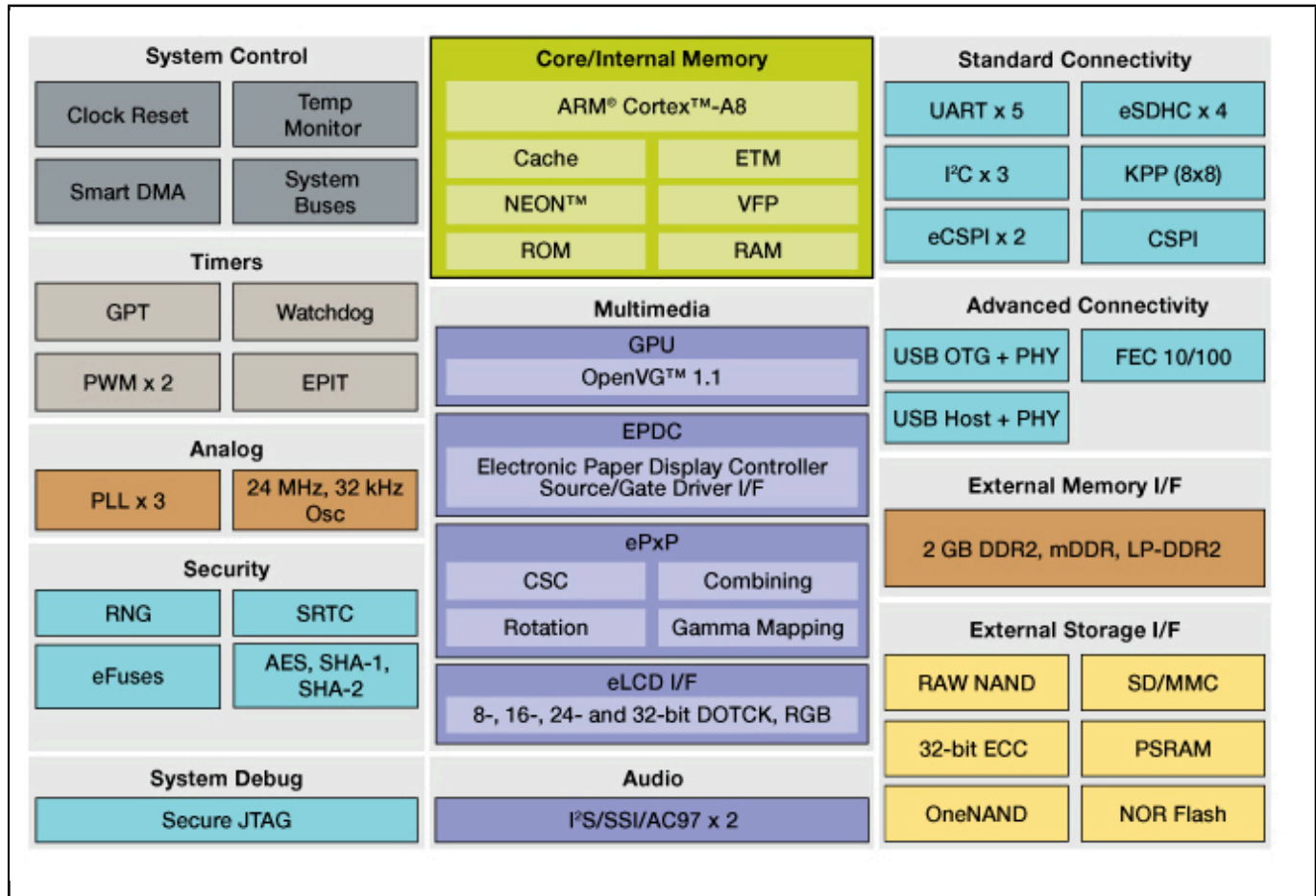
i.MX508

Last Updated: Apr 9, 2022

i.MX508处理器是首款专门为电子书阅读器而设计的片上系统(SoC)，其中包含高性能800MHz ARM® Cortex™-A8处理器和经过E Ink®认证的集成硬件电子纸显示屏(EPD)控制器，可驱动最新的和下一代Pearl™面板。i.MX508能够降低系统成本、延长电池使用时间、提高性能，从而加快翻页速度，带来更好的阅读体验。

i.MX503由与之配套的恩智浦电源管理集成电路(PMIC) MMPF0100提供支持。

i.MX508 Multimedia Applications Processor Block Diagram Block Diagram



View additional information for [多媒体应用处理器 - 集成电纸书显示屏 \(EPD\)](#)，高性能，ARM® Cortex®-A8内核.

Note: The information on this document is subject to change without notice.

www.nxp.com

NXP and the NXP logo are trademarks of NXP B.V. All other product or service names are the property of their respective owners. The related technology may be protected by any or all of patents, copyrights, designs and trade secrets. All rights reserved. © 2024 NXP B.V.