



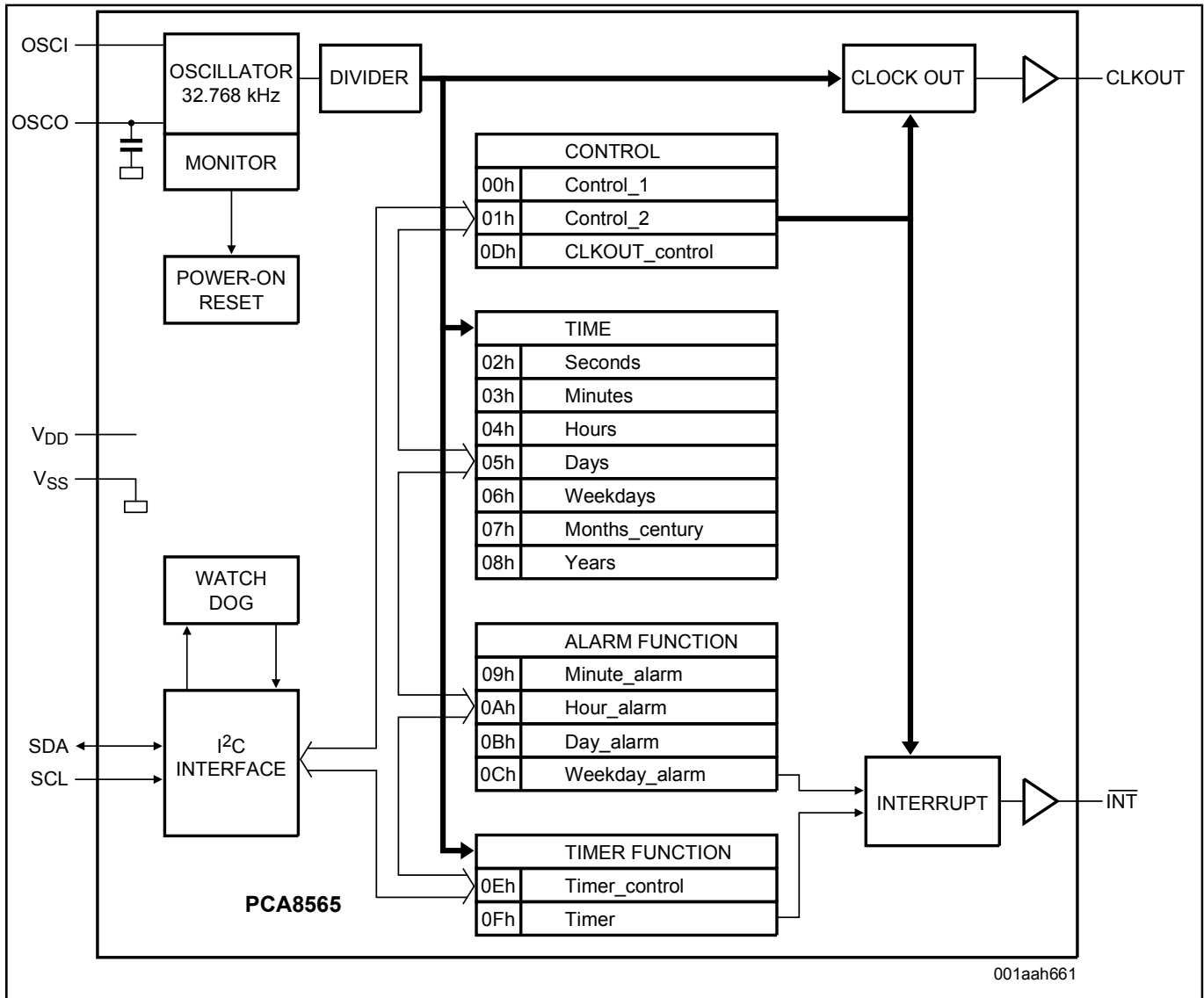
PCA8565 Demo Board

OM13519UL

Last Updated: Apr 12, 2024

The OM13519UL is the demo board for PCA8565. The PCA8565 is a CMOS¹ real time clock and calendar optimized for low-power consumption. A programmable clock output, interrupt output and voltage-low detector are also provided. All address and data are transferred serially via a two-line bi-directional I²C-bus. Maximum bus speed is 400 kbit/s. The built-in word address register is incremented automatically after each written or read data byte.

PCA8565 Demo Board Block Diagram



View additional information for [PCA8565 Demo Board](#).

Note: The information on this document is subject to change without notice.

www.nxp.com

NXP and the NXP logo are trademarks of NXP B.V. All other product or service names are the property of their respective owners. The related technology may be protected by any or all of patents, copyrights, designs and trade secrets. All rights reserved. © 2024 NXP B.V.