



# P3S0210BQ Dual Bidirectional I3C 1:2 Switch and VLT

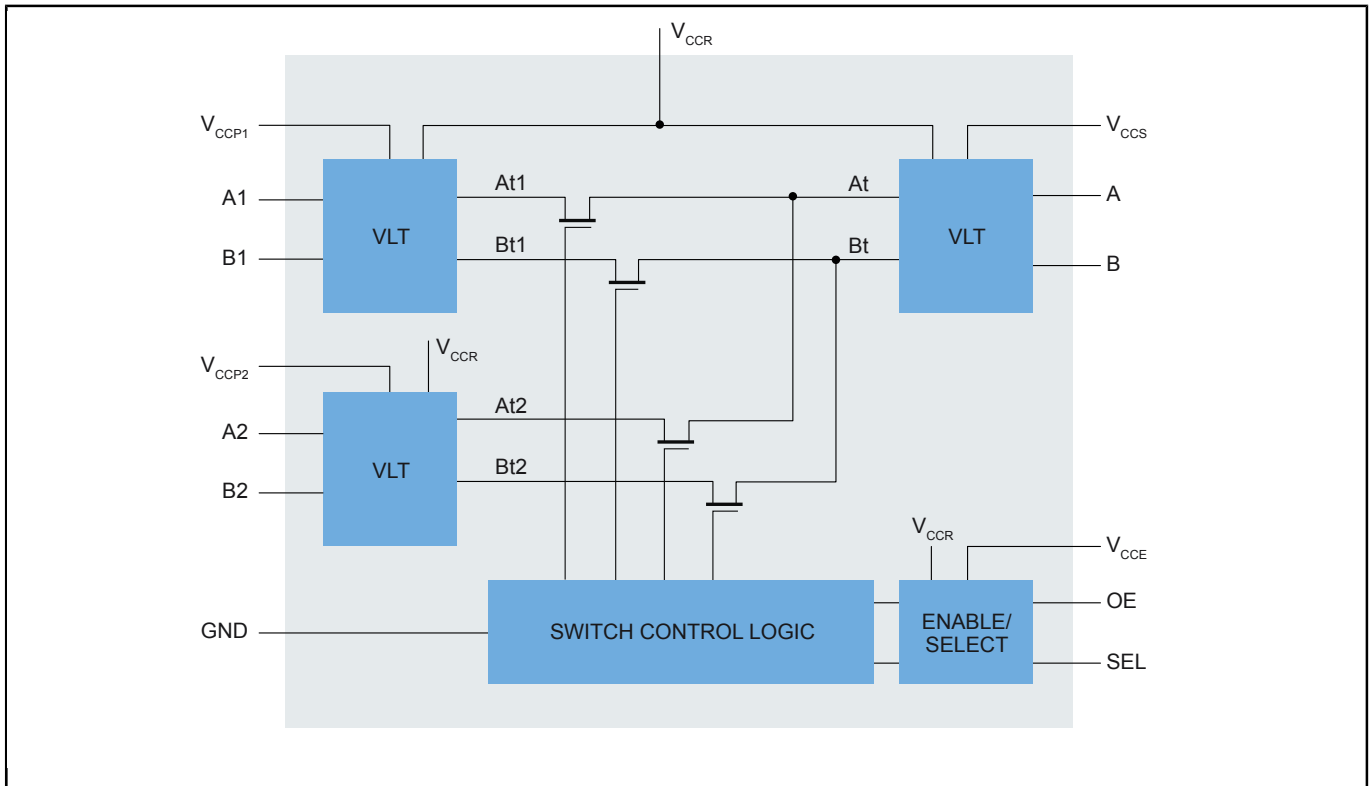
## P3S0210BQ

Last Updated: Mar 18, 2024

P3S0210BQ is a dual bidirectional I3C-bus 1:2 and 2:1 switch and voltage level translator that can be used for both open-drain as well as push-pull application allowing for I3C-bus and other applications like I<sup>2</sup>C-bus, SMBus and SPI protocols in a DHVQFN14 package.

The controller, peripheral and interface ports can be set from 0.72 V to 3.63 V and must be less than or equal to the reference supply, which can be set between 1.62 V to 3.63 V. This part is specified for partial power down applications disabling the output which prevents damaging backflow current through the device.

## P3S0210BQ Block Diagram



View additional information for [P3S0210BQ Dual Bidirectional I3C 1:2 Switch and VLT](#).

**Note:** The information on this document is subject to change without notice.

**www.nxp.com**

NXP and the NXP logo are trademarks of NXP B.V. All other product or service names are the property of their respective owners. The related technology may be protected by any or all of patents, copyrights, designs and trade secrets. All rights reserved. © 2024 NXP B.V.