



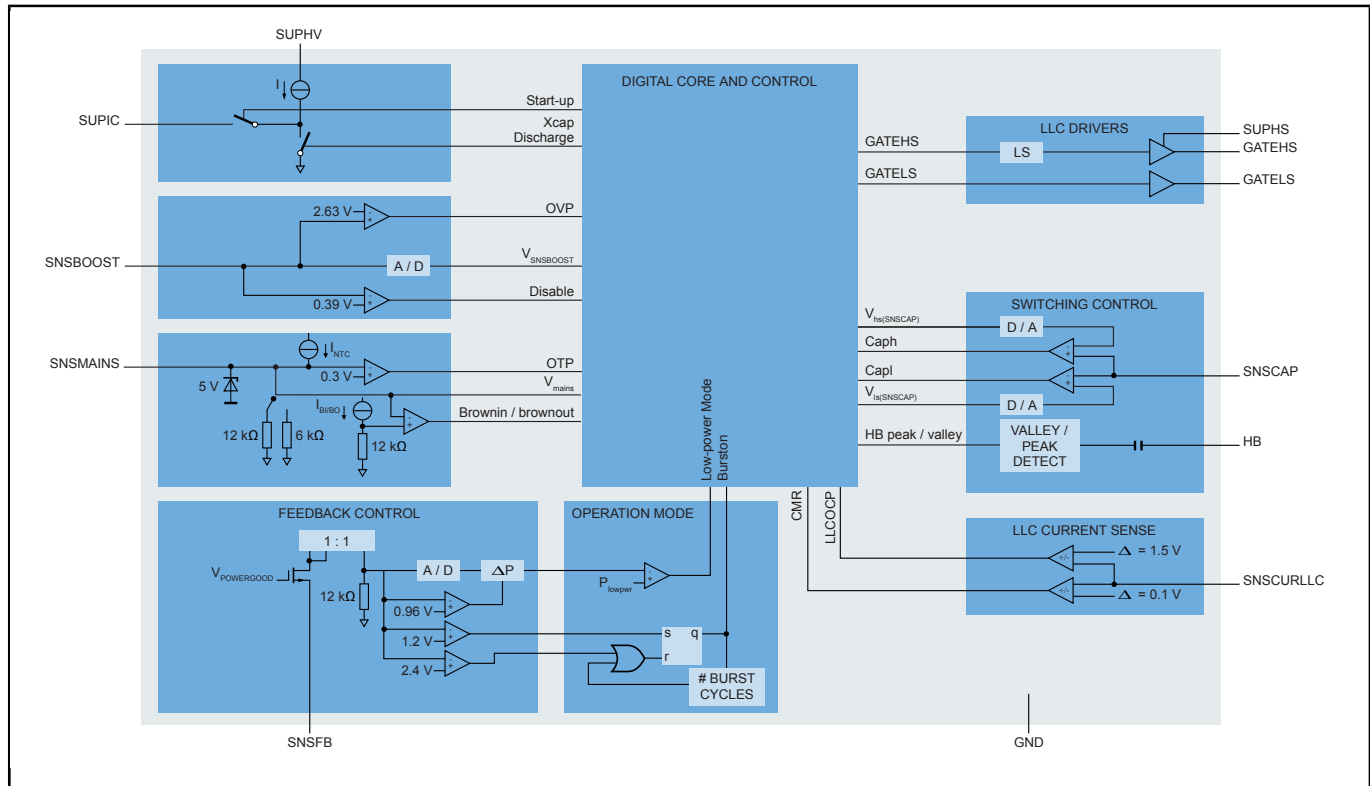
TEA2226AT Digital Configurable LLC Controller

TEA2226

Last Updated: Jan 31, 2024

The TEA2226AT is a digital configurable controller for high-efficiency resonant power supplies. The power supply is easy to design and has a very low component count. It meets the efficiency regulations of Energy Star, the Department of Energy (DoE), the Eco-design directive of the European Union, the European Code of Conduct, and other guidelines. So, no auxiliary low-power supply is required.

TEA2226AT Digital Configurable LLC controller Block Diagram



View additional information for [TEA2226AT Digital Configurable LLC Controller](#).

Note: The information on this document is subject to change without notice.

www.nxp.com

NXP and the NXP logo are trademarks of NXP B.V. All other product or service names are the property of their respective owners. The related technology may be protected by any or all of patents, copyrights, designs and trade secrets. All rights reserved. © 2024 NXP B.V.