



# **MC34931/S H-Bridge, Brushed DC Motor Driver, 5-36 V, 5 A, 11 kHz/20 kHz**

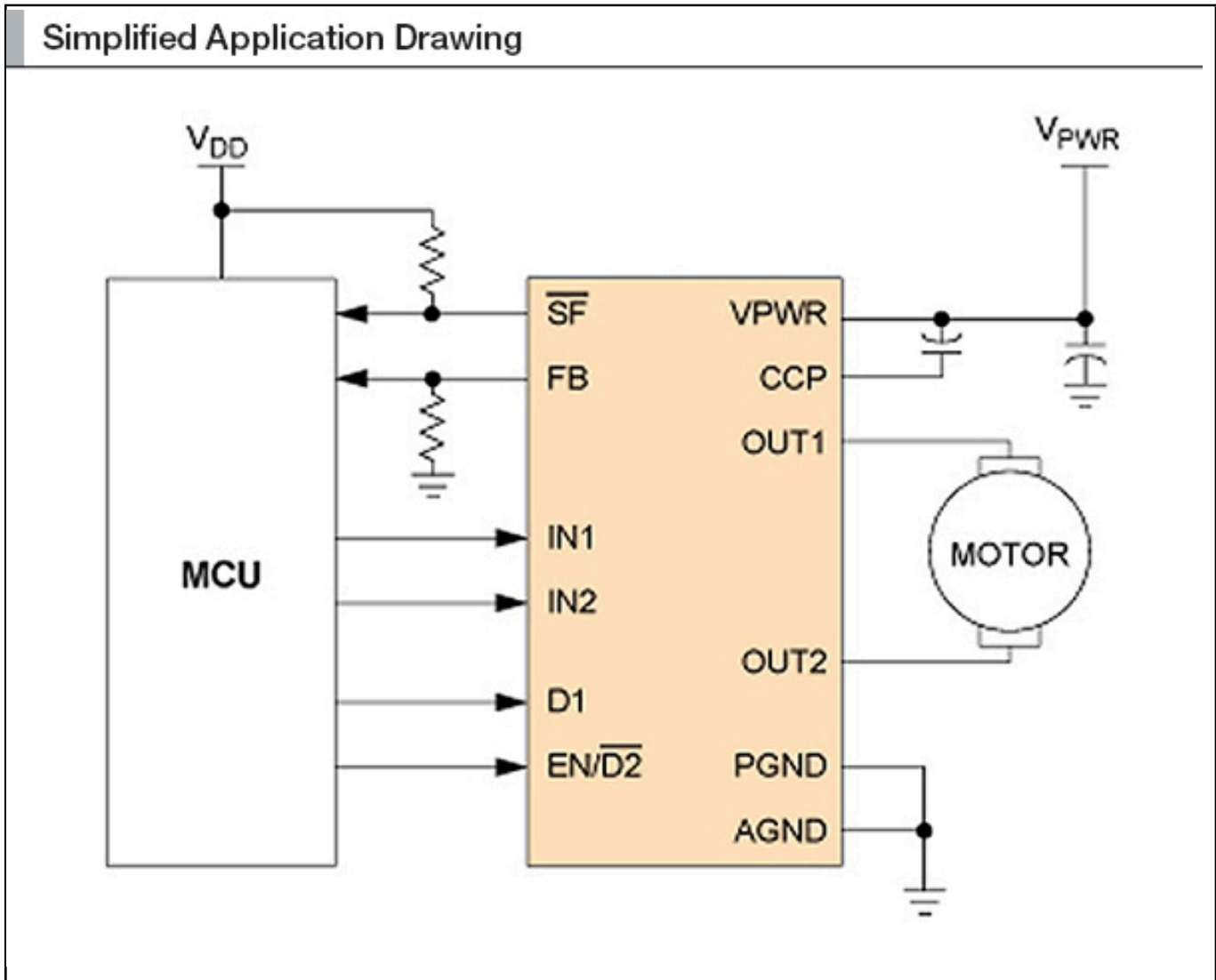
## **MC34931**

Last Updated: Jul 20, 2023

The NXP® MC34931 is a monolithic, thermally efficient 36 V/ 5 A H-Bridge DC motor driver.

- Features real-time load current monitoring and automatic thermal back-off ensuring high availability operation in demanding high-current, high-temperature industrial applications
- Designed primarily for DC brushed and servo motor driver applications within the current and voltage limits stated in this specification
- Powered by SMARTMOS® technology
- Processor Expert® component for medium voltage H-Bridge products enables rapid embedded application development.

## 29400\_MC34931\_BD Block Diagram



View additional information for [MC34931/S H-Bridge, Brushed DC Motor Driver, 5-36 V, 5 A, 11 kHz/20 kHz](#).

Note: The information on this document is subject to change without notice.

[www.nxp.com](http://www.nxp.com)

NXP and the NXP logo are trademarks of NXP B.V. All other product or service names are the property of their respective owners. The related technology may be protected by any or all of patents, copyrights, designs and trade secrets. All rights reserved. © 2024 NXP B.V.