



H-Bridge, Brushed DC Motor Driver, 2-6.8 V, 3.0 A, 200 kHz

MPC17511

アーカイブス

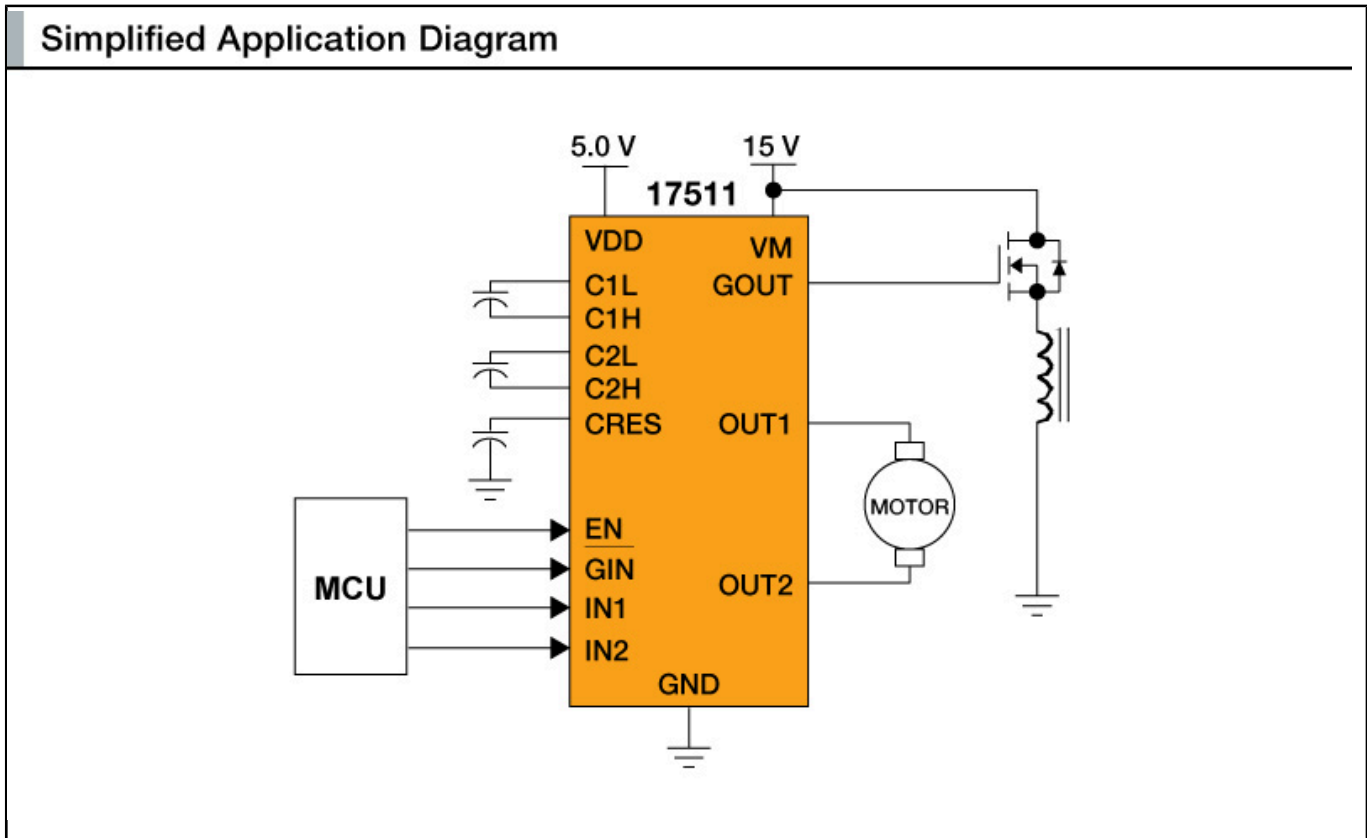
このページには、製造中止（生産終了）となった製品の情報が記載されています。本ページに記載されている仕様および情報は、過去の参考情報です。

Last Updated: Jul 26, 2023

The NXP® MPC17511 is a monolithic H-Bridge IC that is ideal for portable electronic applications to control various micro DC-motors such as single lens cameras and optical disc drives.

- Drives various types of micro motors with low loss via parallel drive; each section has efficient drivers designed for PWM control frequency up to 200 kHz for high speed drive and independent input/output circuitry
- Contains an integrated charge pump and level shifter for gate drive voltages, with an integrated shoot through current protection circuit and undervoltage circuit detector to avoid malfunction
- 4 output control modes: Forward, Reverse, Brake, Tri-state (Open)

H-Bridge, Brushed DC Motor Driver, 2-6.8V, 3.0A, 200kHz Block Diagram



View additional information for [H-Bridge, Brushed DC Motor Driver, 2-6.8 V, 3.0 A, 200 kHz](#).

Note: The information on this document is subject to change without notice.

www.nxp.com

NXP and the NXP logo are trademarks of NXP B.V. All other product or service names are the property of their respective owners. The related technology may be protected by any or all of patents, copyrights, designs and trade secrets. All rights reserved. © 2024 NXP B.V.