



OpenSDA Serial and Debug Adapter

OPENSDA

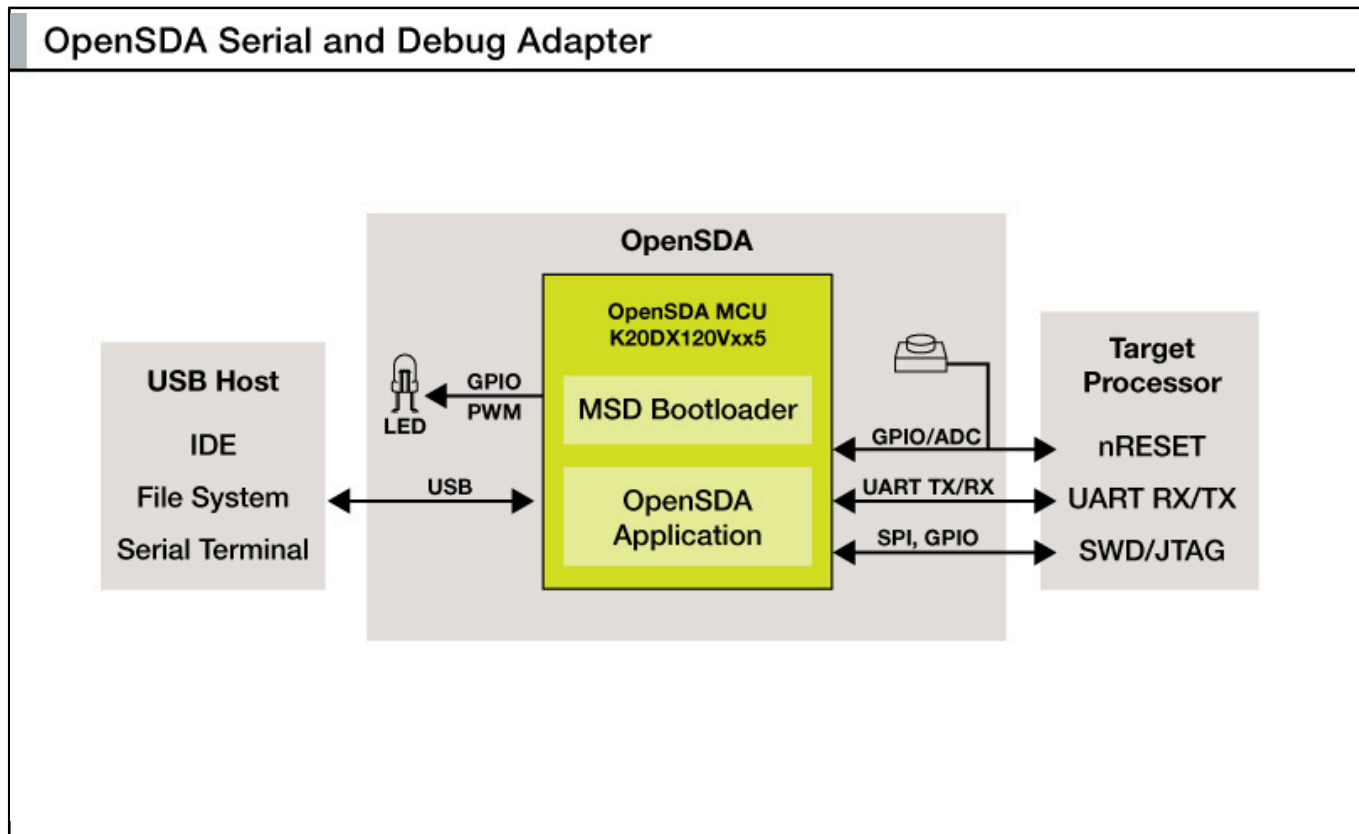
Last Updated: Jan 11, 2024

OpenSDA is a serial and debug adapter that is built into several NXP® evaluation boards. It provides a bridge between your computer (or other USB hosts) and the embedded target processor, which can be used for debugging, flash programming, and serial communication, all over a simple USB cable.

The OpenSDA hardware consists of a circuit featuring a Kinetis® K2x microcontroller with an integrated USB controller. On the software side, it implements a mass storage device bootloader which offers a quick and easy way to load OpenSDA applications such as flash programmers, run-control debug interfaces, serial to USB converters, and more.

DAPLink is the new and improved implementation of mbed bootloader and standard debugging interface. It includes a Kinetis K20-based circuit implementation that is portable to all OpenSDA v1 and v2/2.1, and new version on a different Kinetis based circuit. For comparison between DAPLink and all OpenSDA version, please refer to the table below on this page.

OpenSDA Block Diagram Block Diagram



View additional information for [OpenSDA Serial and Debug Adapter](#).

Note: The information on this document is subject to change without notice.

www.nxp.com

NXP and the NXP logo are trademarks of NXP B.V. All other product or service names are the property of their respective owners. The related technology may be protected by any or all of patents, copyrights, designs and trade secrets. All rights reserved. © 2024 NXP B.V.