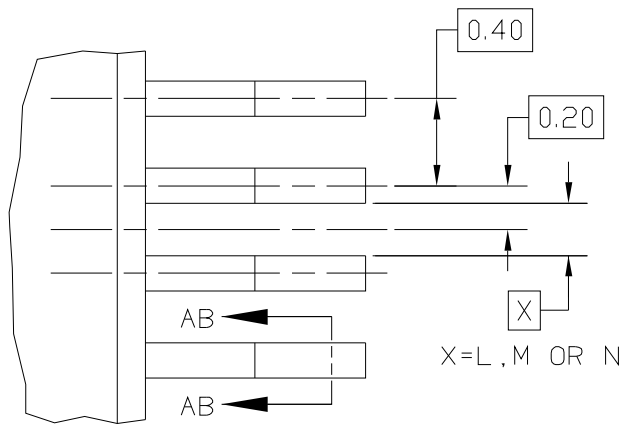
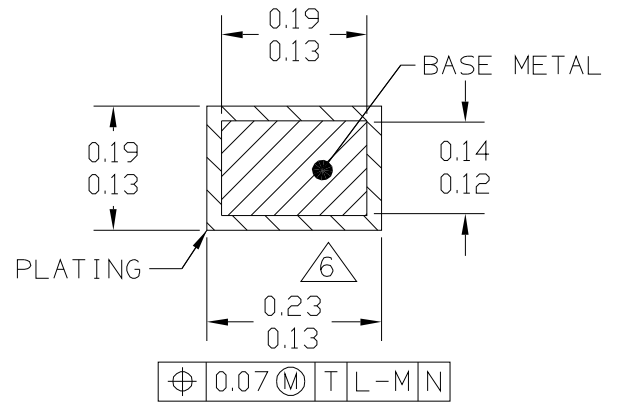


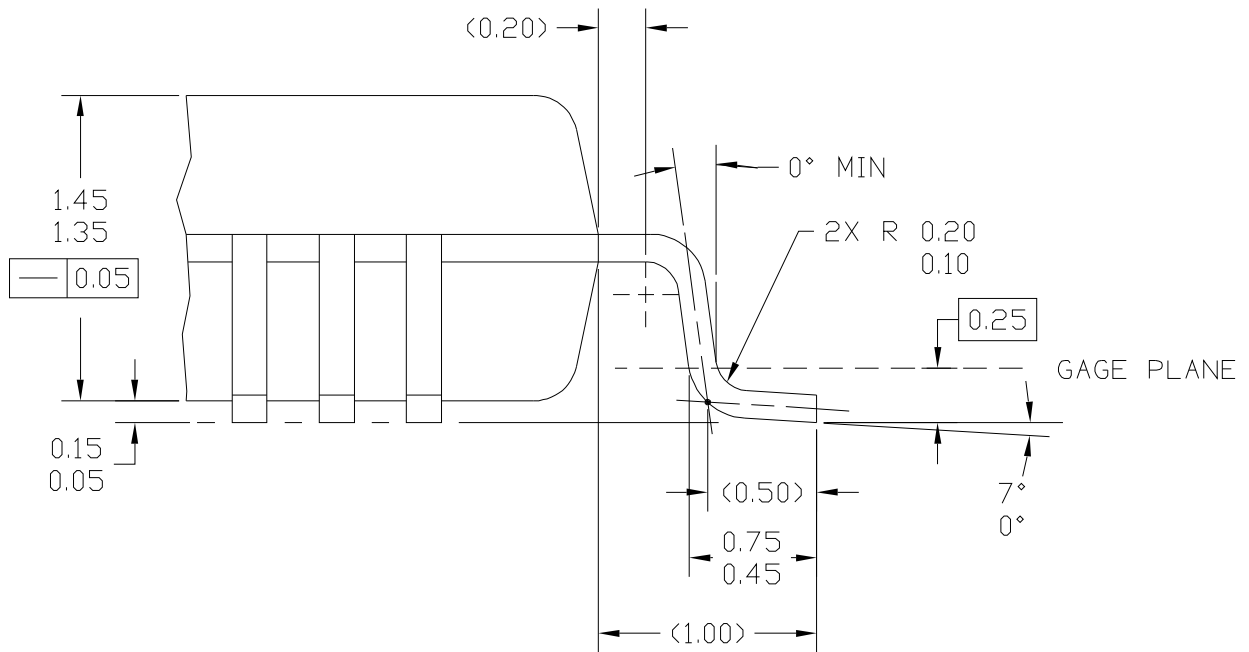
| | | |
|---|--------------------------|----------------------------|
| © NXP SEMICONDUCTORS N.V. ALL RIGHTS RESERVED | MECHANICAL OUTLINE | PRINT VERSION NOT TO SCALE |
| TITLE: 128 LD TQFP, 14 X 14 PKG, 0.4 PITCH, 1.4 THICK | DOCUMENT NO: 98ASS23267W | REV: D |
| | STANDARD: NON-JEDEC | |
| | SOT420-2 | 21 JAN 2016 |



VIEW Y



SECTION AB-AB
ROTATED 90° CLOCKWISE



VIEW AA

| | | |
|---|--------------------------|----------------------------|
| © NXP SEMICONDUCTORS N.V. ALL RIGHTS RESERVED | MECHANICAL OUTLINE | PRINT VERSION NOT TO SCALE |
| TITLE: 128 LD TQFP, 14 X 14 PKG, 0.4 PITCH, 1.4 THICK | DOCUMENT NO: 98ASS23267W | REV: D |
| | STANDARD: NON-JEDEC | |
| | SOT420-2 | 21 JAN 2016 |



NOTES:

1. DIMENSIONS AND TOLERANCING PER ASME Y14.5M-1994.

2. CONTROLLING DIMENSION: MILLIMETERS

3. DATUMS L, M AND N TO BE DETERMINED AT THE SEATING PLANE, DATUM T.

△4. DIMENSIONS TO BE DETERMINED AT SEATING PLANE, DATUM T.

△5. DIMENSIONS DO NOT INCLUDE MOLD PROTRUSION. ALLOWABLE PROTRUSION IS 0.25 PER SIDE. THESE DIMENSIONS INCLUDE MOLD MISMATCH.

△6. DIMENSION DOES NOT INCLUDE DAMBAR PROTRUSION. DAMBAR PROTRUSION SHALL NOT CAUSE THIS DIMENSION TO EXCEED 0.31.

| | | | |
|---|--------------------|----------------------------|-------------|
| © NXP SEMICONDUCTORS N.V. ALL RIGHTS RESERVED | MECHANICAL OUTLINE | PRINT VERSION NOT TO SCALE | |
| TITLE: 128 LD TQFP, 14 X 14 PKG, 0.4 PITCH, 1.4 THICK | | DOCUMENT NO: 98ASS23267W | REV: D |
| | | STANDARD: NON-JEDEC | |
| | | SOT420-2 | 21 JAN 2016 |