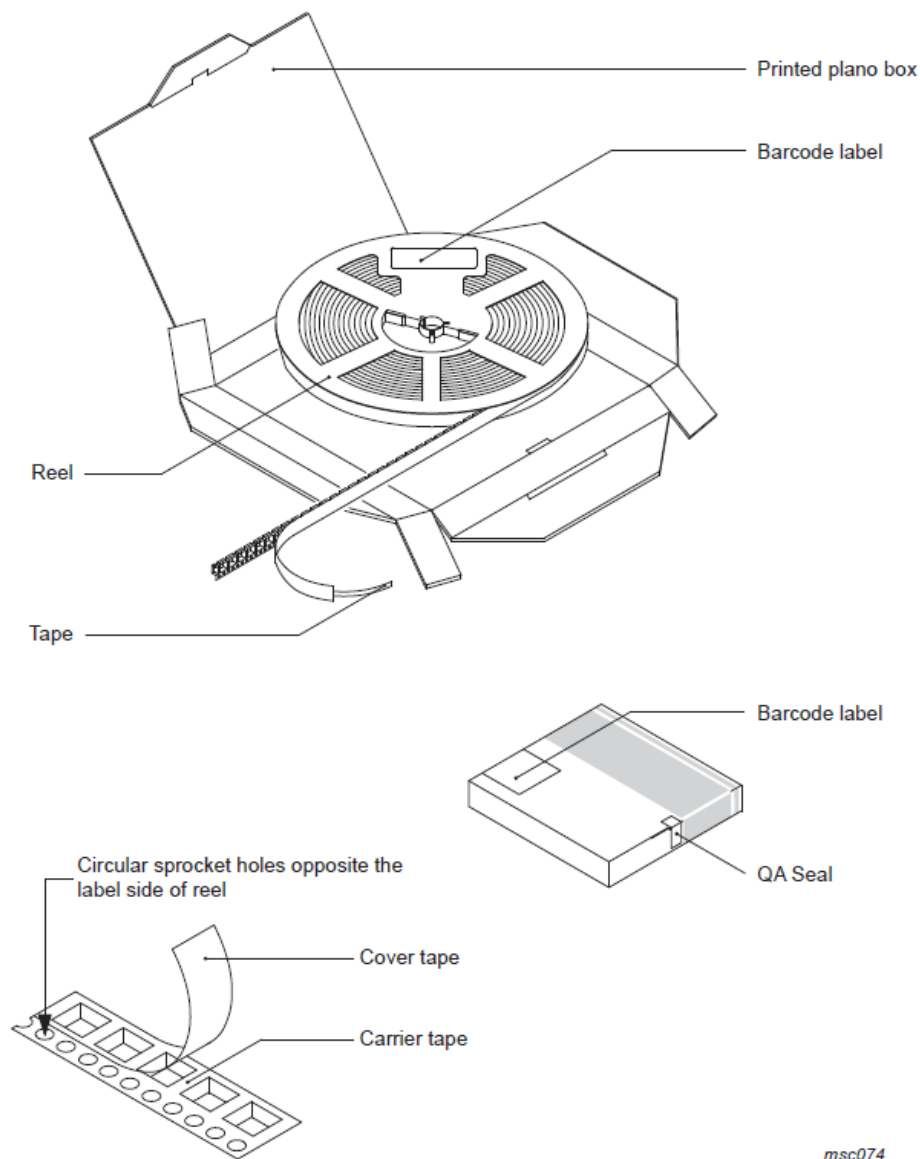


SOT457

Tape reel SMD; product orientation 12NC ending 125 & 147

1. Packing method



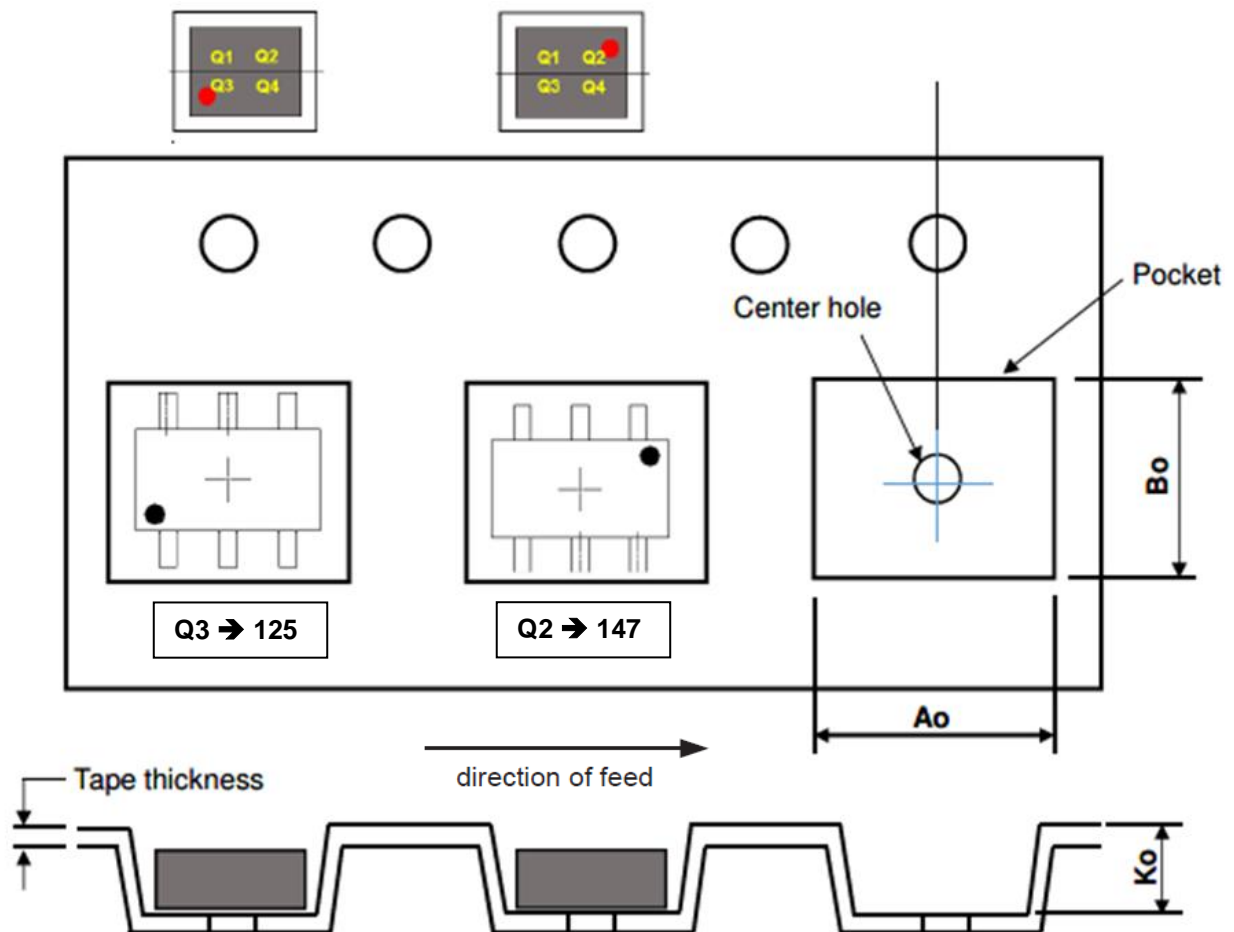
msc074

Fig 1. Reel pack for SMD

Package version	12NC ending	Reel dimensions d x w (mm) [1]	SPQ/PQ (pcs)	Reels per box	Outer box dimensions l x w x h (mm)
SOT457	125	180 x 8	3000	1	186 x 186 x 16
SOT457	147	180 x 8	3000	1	186 x 186 x 16

[1] d = reel diameter; w = tape width.

2. Product orientation in carrier tape



Example: TEA2093TS

TEA2093TS/1H

12NC: 935433881 **125**

Packing: REEL-Reel 7" Q3/T4

Min. Package Quantity: 3000

Min. Order Quantity: 3000

TEA2093TS/1Z

12NC: 935433881 **147**

Packing: REEL-Reel 7" Q2/T3

Min. Package Quantity: 3000

Min. Order Quantity: 3000