

## **APPLICATION INFORMATION**

### **900 MHz low noise amplifier with the BFG480W**

## 900 MHz low noise amplifier with the BFG480W

---

### ABSTRACT

- Description of the product

The BFG480W, one of the Philips double polysilicon wideband transistors of the BFG400W series.

- Application area

Low voltage high frequency wireless applications.

- Presented application

A low noise amplifier for 900 MHz.

- Main results

At a frequency of 900 MHz, the amplifier has an insertion power gain of approximately 15.5 dB, a noise figure of approximately 2 dB, and a third order intercept point of approximately 10 dBm (measured at input).

© PHILIPS ELECTRONICS N.V. 1999

All rights are reserved. Reproduction in whole or in part is prohibited without the prior written consent of the copyright owner.

The information presented in this document does not form part of any quotation or contract, is believed to be accurate and reliable and may be changed without notice. No liability will be accepted by the publisher for any consequence of its use. Publication thereof does not convey nor imply any license under patent- or other industrial or intellectual property rights.

# 900 MHz low noise amplifier with the BFG480W

## INTRODUCTION

With the Philips double polysilicon wideband transistor BFG480W, it is possible to design Low Noise Amplifiers (LNAs) for high frequency applications with a low current and a low supply voltage. These amplifiers are well suited for the new generation low voltage high frequency wireless applications. A feature of the BFG480W is that it has a good linearity performance. Therefore the BFG480W is well suited for LNAs with high linearity demands, such as Code Division Multiple Access (CDMA) systems. This application note gives an example of a 900 MHz LNA with the BFG480W.

## CIRCUIT DESCRIPTION

The following initial conditions apply for the amplifier design:

- $V_{supply} \approx 3.6\text{ V}$
- $V_{CE} \approx 2\text{ V}$
- $I_C \approx 20\text{ mA}$
- $f = 900\text{ MHz}$ .

The circuit is designed to show the following performance:

- $|S_{21}|^2 \approx 15\text{ dB}$
- $VSWR_{IN} < 2$
- $VSWR_{OUT} < 2$
- $NF \leq 2\text{ dB}$
- $IP3_i > 9\text{ dBm}$ .

The input and output matching is realised with an LC-combination. Also extra emitter inductance (micro stripline) is used on both emitter-leads to improve the matching and the noise figure.

## CIRCUIT DIAGRAM

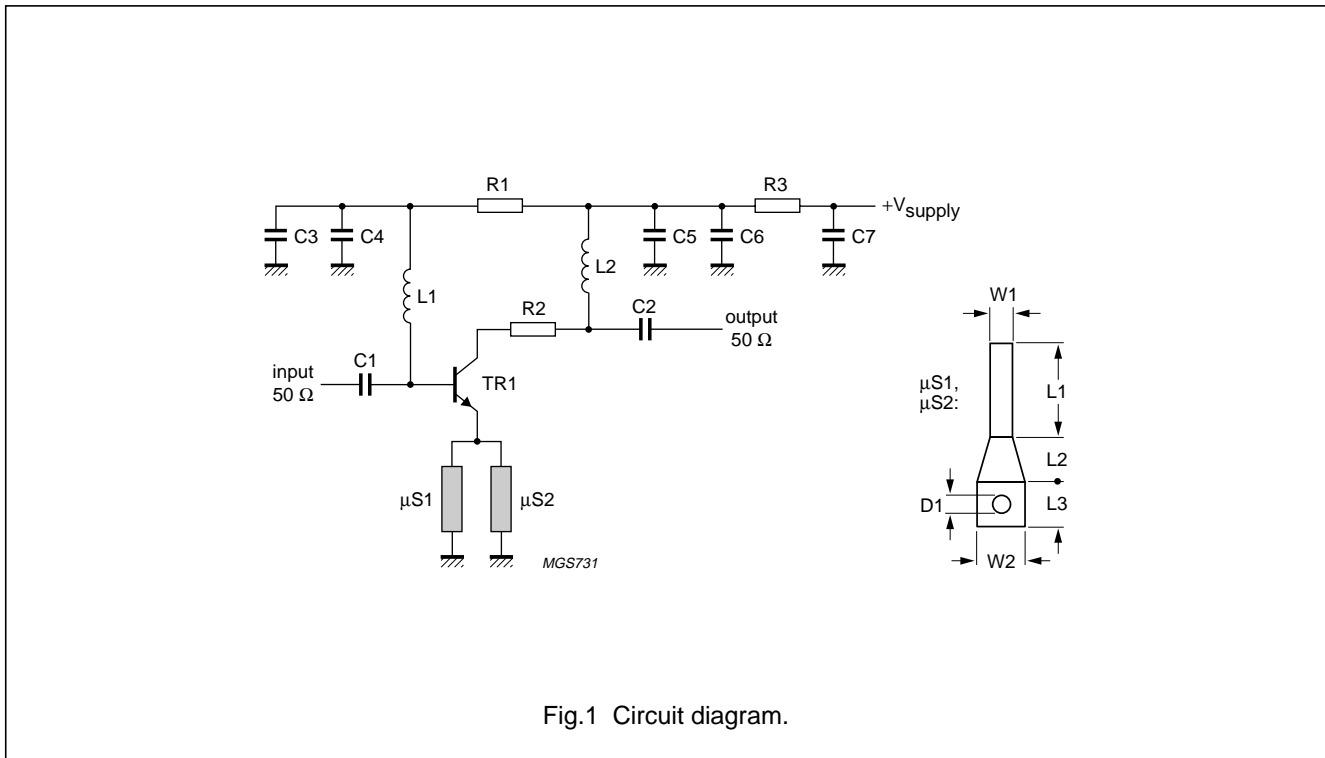


Fig.1 Circuit diagram.

## 900 MHz low noise amplifier with the BFG480W

## COMPONENT LIST

Table 1 Component list for the 900 MHz LNA

COMPONENT	VALUE	UNIT	SIZE, MANUFACTURER	PURPOSE, COMMENT
TR1	BFG480W		SOT343R Philips	RF transistor
R1	8.2	k $\Omega$	0603 Philips	collector to base bias
R2	10	$\Omega$	0603 Philips	improvement RF stability (K-factor > 1)
R3	56	$\Omega$	0603 Philips	collector bias; levelling $h_{FE}$ spread
C1	27	pF	0603 Philips	input match (base coupling)
C2	27	pF	0603 Philips	output match (collector coupling)
C3	27	pF	0603 Philips	900 MHz short (L1 and L2 to ground)
C4	100	nF	0805 Philips	improvement IP3 by decoupling LF IP3 products
C5	27	pF	0603 Philips	900 MHz short (L1 and L2 to ground)
C6	100	nF	0805 Philips	improvement IP3 by decoupling LF IP3 products
C7	1	nF	0603 Philips	RF decoupling collector bias
L1	15	nH	0805CS Coilcraft	input match
L2	8.2	nH	0805CS Coilcraft	output match
$\mu$ S1	see Table 2			emitter induction: micro stripline and via-hole
$\mu$ S2	see Table 2			emitter induction: micro stripline and via-hole
PCB	FR4			$\epsilon_r = 4.6$ ; $d = 0.5$ mm

Table 2 Dimensions of the micro striplines  $\mu$ S1 and  $\mu$ S2 (see Fig.1)

DIMENSION	VALUE	UNIT	DESCRIPTION
L1	2.0	mm	length micro stripline; $Z_o \approx 48 \Omega$
L2	1.0	mm	length interconnect micro stripline and via-hole area
L3	1.0	mm	length via-hole area
W1	0.5	mm	width micro stripline
W2	1.0	mm	width via-hole area
D1	0.4	mm	diameter of via-hole

## 900 MHz low noise amplifier with the BFG480W

### BOARD LAYOUT

The layout has been designed with the Hewlett Packard Microwave Design System (HP-MDS).

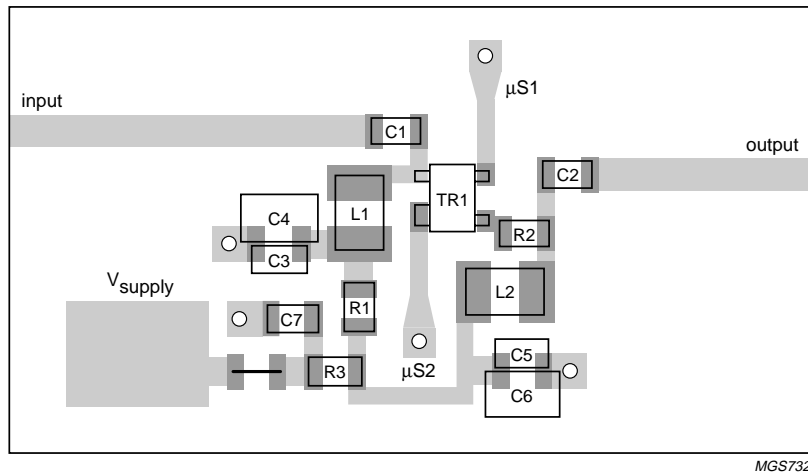


Fig.2 PCB layout.

### MEASUREMENTS

The measurements have been done under the following conditions (unless otherwise stated):

- Supply voltage 3.6 V
- Supply current 19 mA
- Frequency 900 MHz.

**Table 3** Measuring results of the 900 MHz amplifier

SYMBOL	PARAMETER	CONDITIONS	VALUE	UNIT
$ S_{21} ^2$	insertion power gain		15.5	dB
$VSWR_{IN}$	input voltage standing wave ratio		1.9	
$VSWR_{OUT}$	output voltage standing wave ratio		1.2	
NF	noise figure		2.0	dB
$IP3_i$	third order intercept point	$\Delta f = 200 \text{ kHz}; P_i = -20 \text{ dBm}$	10	dBm

## 900 MHz low noise amplifier with the BFG480W

---

### NOTES

## 900 MHz low noise amplifier with the BFG480W

---

### NOTES

# Philips Semiconductors – a worldwide company

**Argentina:** see South America

**Australia:** 3 Figtree Drive, HOMEBUSH, NSW 2140,  
Tel. +61 2 9704 8141, Fax. +61 2 9704 8139

**Austria:** Computerstr. 6, A-1101 WIEN, P.O. Box 213,  
Tel. +43 1 60 101 1248, Fax. +43 1 60 101 1210

**Belarus:** Hotel Minsk Business Center, Bld. 3, r. 1211, Volodarski Str. 6,  
220050 MINSK, Tel. +375 172 20 0733, Fax. +375 172 20 0773

**Belgium:** see The Netherlands

**Brazil:** see South America

**Bulgaria:** Philips Bulgaria Ltd., Energoproject, 15th floor,  
51 James Bourchier Blvd., 1407 SOFIA,  
Tel. +359 2 68 9211, Fax. +359 2 68 9102

**Canada:** PHILIPS SEMICONDUCTORS/COMPONENTS,  
Tel. +1 800 234 7381, Fax. +1 800 943 0087

**China/Hong Kong:** 501 Hong Kong Industrial Technology Centre,  
72 Tat Chee Avenue, Kowloon Tong, HONG KONG,  
Tel. +852 2319 7888, Fax. +852 2319 7700

**Colombia:** see South America

**Czech Republic:** see Austria

**Denmark:** Sydhavnsgade 23, 1780 COPENHAGEN V,  
Tel. +45 33 29 3333, Fax. +45 33 29 3905

**Finland:** Sinikalliontie 3, FIN-02630 ESPOO,  
Tel. +358 9 615 800, Fax. +358 9 6158 0920

**France:** 51 Rue Carnot, BP317, 92156 SURESNES Cedex,  
Tel. +33 1 4099 6161, Fax. +33 1 4099 6427

**Germany:** Hammerbrookstraße 69, D-20097 HAMBURG,  
Tel. +49 40 2353 60, Fax. +49 40 2353 6300

**Hungary:** see Austria

**India:** Philips INDIA Ltd, Band Box Building, 2nd floor,  
254-D, Dr. Annie Besant Road, Worli, MUMBAI 400 025,  
Tel. +91 22 493 8541, Fax. +91 22 493 0966

**Indonesia:** PT Philips Development Corporation, Semiconductors Division,  
Gedung Philips, Jl. Buncit Raya Kav.99-100, JAKARTA 12510,  
Tel. +62 21 794 0040 ext. 2501, Fax. +62 21 794 0080

**Ireland:** Newstead, Clonskeagh, DUBLIN 14,  
Tel. +353 1 7640 000, Fax. +353 1 7640 200

**Israel:** RAPAC Electronics, 7 Kehilat Saloniki St, PO Box 18053,  
TEL AVIV 61180, Tel. +972 3 645 0444, Fax. +972 3 649 1007

**Italy:** PHILIPS SEMICONDUCTORS, Via Casati, 23 - 20052 MONZA (MI),  
Tel. +39 039 203 6838, Fax +39 039 203 6800

**Japan:** Philips Bldg 13-37, Kohnan 2-chome, Minato-ku,  
TOKYO 108-8507, Tel. +81 3 3740 5130, Fax. +81 3 3740 5057

**Korea:** Philips House, 260-199 Itaewon-dong, Yongsan-ku, SEOUL,  
Tel. +82 2 709 1412, Fax. +82 2 709 1415

**Malaysia:** No. 76 Jalan Universiti, 46200 PETALING JAYA, SELANGOR,  
Tel. +60 3 750 5214, Fax. +60 3 757 4880

**Mexico:** 5900 Gateway East, Suite 200, EL PASO, TEXAS 79905,  
Tel. +9-5 800 234 7381, Fax +9-5 800 943 0087

**Middle East:** see Italy

**Netherlands:** Postbus 90050, 5600 PB EINDHOVEN, Bldg. VB,  
Tel. +31 40 27 82785, Fax. +31 40 27 88399

**New Zealand:** 2 Wagener Place, C.P.O. Box 1041, AUCKLAND,  
Tel. +64 9 849 4160, Fax. +64 9 849 7811

**Norway:** Box 1, Manglerud 0612, OSLO,  
Tel. +47 22 74 8000, Fax. +47 22 74 8341

**Pakistan:** see Singapore

**Philippines:** Philips Semiconductors Philippines Inc.,  
106 Valero St. Salcedo Village, P.O. Box 2108 MCC, MAKATI,  
Metro MANILA, Tel. +63 2 816 6380, Fax. +63 2 817 3474

**Poland:** Al.Jerozolimskie 195 B, 02-222 WARSAW,  
Tel. +48 22 5710 000, Fax. +48 22 5710 001

**Portugal:** see Spain

**Romania:** see Italy

**Russia:** Philips Russia, Ul. Usatcheva 35A, 119048 MOSCOW,  
Tel. +7 095 755 6918, Fax. +7 095 755 6919

**Singapore:** Lorong 1, Toa Payoh, SINGAPORE 319762,  
Tel. +65 350 2538, Fax. +65 251 6500

**Slovakia:** see Austria

**Slovenia:** see Italy

**South Africa:** S.A. PHILIPS Pty Ltd., 195-215 Main Road Martindale,  
2092 JOHANNESBURG, P.O. Box 58088 Newville 2114,  
Tel. +27 11 471 5401, Fax. +27 11 471 5398

**South America:** Al. Vicente Pinzon, 173, 6th floor,  
04547-130 SÃO PAULO, SP, Brazil,  
Tel. +55 11 821 2333, Fax. +55 11 821 2382

**Spain:** Balmes 22, 08007 BARCELONA,  
Tel. +34 93 301 6312, Fax. +34 93 301 4107

**Sweden:** Kottbygatan 7, Akalla, S-16485 STOCKHOLM,  
Tel. +46 8 5985 2000, Fax. +46 8 5985 2745

**Switzerland:** Allmendstrasse 140, CH-8027 ZÜRICH,  
Tel. +41 1 488 2741 Fax. +41 1 488 3263

**Taiwan:** Philips Semiconductors, 6F, No. 96, Chien Kuo N. Rd., Sec. 1,  
TAIPEI, Taiwan Tel. +886 2 2134 2886, Fax. +886 2 2134 2874

**Thailand:** PHILIPS ELECTRONICS (THAILAND) Ltd.,  
209/2 Sanpavuth-Bangna Road Prakanong, BANGKOK 10260,  
Tel. +66 2 745 4090, Fax. +66 2 398 0793

**Turkey:** Yukari Dudullu, Org. San. Blg., 2.Cad. Nr. 28 81260 Umraniye,  
ISTANBUL, Tel. +90 216 522 1500, Fax. +90 216 522 1813

**Ukraine:** PHILIPS UKRAINE, 4 Patrice Lumumba str., Building B, Floor 7,  
252042 KIEV, Tel. +380 44 264 2776, Fax. +380 44 268 0461

**United Kingdom:** Philips Semiconductors Ltd., 276 Bath Road, Hayes,  
MIDDLESEX UB3 5BX, Tel. +44 208 730 5000, Fax. +44 208 754 8421

**United States:** 811 East Arques Avenue, SUNNYVALE, CA 94088-3409,  
Tel. +1 800 234 7381, Fax. +1 800 943 0087

**Uruguay:** see South America

**Vietnam:** see Singapore

**Yugoslavia:** PHILIPS, Trg N. Pasica 5/v, 11000 BEOGRAD,  
Tel. +381 11 62 5344, Fax.+381 11 63 5777

**For all other countries apply to:** Philips Semiconductors,  
International Marketing & Sales Communications, Building BE-p, P.O. Box 218,  
5600 MD EINDHOVEN, The Netherlands, Fax. +31 40 27 24825

**Internet:** <http://www.semiconductors.philips.com>

© Philips Electronics N.V. 1999

SCA 68

All rights are reserved. Reproduction in whole or in part is prohibited without the prior written consent of the copyright owner.

The information presented in this document does not form part of any quotation or contract, is believed to be accurate and reliable and may be changed without notice. No liability will be accepted by the publisher for any consequence of its use. Publication thereof does not convey nor imply any license under patent- or other industrial or intellectual property rights.

Printed in The Netherlands

125006/01/pp8

Date of release: 1999 Dec 14

*Let's make things better.*

**Philips**  
Semiconductors



**PHILIPS**