

# BLL6H0514L-130; BLL6H0514LS-130

LDMOS driver transistor

Rev. 2 — 13 September 2010

Product data sheet

## 1. Product profile

### 1.1 General description

130 W LDMOS transistor intended for pulsed applications in the 0.5 GHz to 1.4 GHz range.

**Table 1. Application information**

Typical RF performance at  $T_{case} = 25\text{ }^{\circ}\text{C}$ ;  $I_{DQ} = 50\text{ mA}$ ; in a class-AB application circuit.

Mode of operation	f (MHz)	t <sub>p</sub> (μs)	δ (%)	V <sub>DS</sub> (V)	P <sub>L</sub> (W)	G <sub>p</sub> (dB)	RL <sub>in</sub> (dB)	η <sub>D</sub> (%)	P <sub>droop(pulse)</sub> (dB)	t <sub>r</sub> (ns)	t <sub>f</sub> (ns)
pulsed RF	960 to 1215	128	10	50	130	19	10	54	0	15	8
	1200 to 1400	300	10	50	130	17	10	50	0	15	8

### 1.2 Features and benefits

- Easy power control
- Integrated ESD protection
- High flexibility with respect to pulse formats
- Excellent ruggedness
- High efficiency
- Excellent thermal stability
- Designed for broadband operation (0.5 GHz to 1.4 GHz)
- Compliant to Directive 2002/95/EC, regarding Restriction of Hazardous Substances (RoHS)

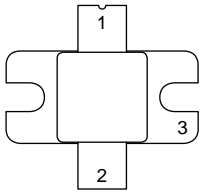
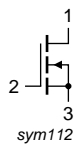
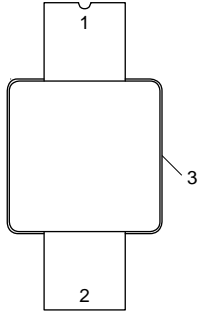
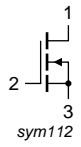
### 1.3 Applications

- Amplifiers for pulsed applications in the 0.5 GHz to 1.4 GHz frequency range



## 2. Pinning information

Table 2. Pinning

Pin	Description	Simplified outline	Graphic symbol
<b>BLL6H0514L-130 (SOT1135A)</b>			
1	drain		 sym112
2	gate		
3	source		
<b>BLL6H0514LS-130 (SOT1135B)</b>			
1	drain		 sym112
2	gate		
3	source		

[1] Connected to flange.

## 3. Ordering information

Table 3. Ordering information

Type number	Package		
	Name	Description	Version
BLL6H0514L-130	-	flanged ceramic package; 2 mounting holes; 2 leads	SOT1135A
BLL6H0514LS-130	-	earless flanged ceramic package; 2 leads	SOT1135B

## 4. Limiting values

Table 4. Limiting values

In accordance with the Absolute Maximum Rating System (IEC 60134).

Symbol	Parameter	Conditions	Min	Max	Unit
$V_{DS}$	drain-source voltage		-	100	V
$V_{GS}$	gate-source voltage		-0.5	+13	V
$I_D$	drain current		-	18	A
$T_{stg}$	storage temperature		-65	+150	°C
$T_j$	junction temperature		-	200	°C

## 5. Thermal characteristics

**Table 5. Thermal characteristics**

Symbol	Parameter	Conditions	Typ	Unit
$Z_{th(j-c)}$	transient thermal impedance from junction to case	$T_{case} = 85\text{ °C}; P_L = 130\text{ W}$		
		$t_p = 100\text{ }\mu\text{s}; \delta = 10\%$	0.17	K/W
		$t_p = 200\text{ }\mu\text{s}; \delta = 10\%$	0.22	K/W
		$t_p = 300\text{ }\mu\text{s}; \delta = 10\%$	0.25	K/W
		$t_p = 100\text{ }\mu\text{s}; \delta = 20\%$	0.23	K/W
		$t_p = 1\text{ ms}; \delta = 10\%$	0.36	K/W

## 6. Characteristics

**Table 6. DC characteristics**

$T_j = 25\text{ °C}$ ; per section unless otherwise specified.

Symbol	Parameter	Conditions	Min	Typ	Max	Unit
$V_{(BR)DSS}$	drain-source breakdown voltage	$V_{GS} = 0\text{ V}; I_D = 630\text{ mA}$	100	-	-	V
$V_{GS(th)}$	gate-source threshold voltage	$V_{DS} = 10\text{ V}; I_D = 135\text{ mA}$	1.3	1.8	2.25	V
$I_{DSS}$	drain leakage current	$V_{GS} = 0\text{ V}; V_{DS} = 50\text{ V}$	-	-	1.4	$\mu\text{A}$
$I_{DSX}$	drain cut-off current	$V_{GS} = V_{GS(th)} + 3.75\text{ V}; V_{DS} = 10\text{ V}$	15.8	18	-	A
$I_{GSS}$	gate leakage current	$V_{GS} = 11\text{ V}; V_{DS} = 0\text{ V}$	-	-	140	nA
$g_{fs}$	forward transconductance	$V_{DS} = 10\text{ V}; I_D = 135\text{ mA}$	806	-	1578	mS
$R_{DS(on)}$	drain-source on-state resistance	$V_{GS} = V_{GS(th)} + 6.25\text{ V}; I_D = 135\text{ mA}$	-	200	275	m $\Omega$

**Table 7. RF characteristics**

Mode of operation: pulsed RF;  $t_p = 300\text{ }\mu\text{s}; \delta = 10\%$ ; RF performance at  $V_{DS} = 50\text{ V}; I_{Dq} = 50\text{ mA}$ ;  $f = 1.2\text{ GHz to }1.4\text{ GHz}$ ;  $T_{case} = 25\text{ °C}$ ; unless otherwise specified, in a class-AB production test circuit.

Symbol	Parameter	Conditions	Min	Typ	Max	Unit
$P_L$	output power		130	-	-	W
$V_{DS}$	drain-source voltage	$P_L = 130\text{ W}$	-	-	50	V
$G_p$	power gain	$P_L = 130\text{ W}$	15	17	-	dB
$RL_{in}$	input return loss	$P_L = 130\text{ W}$	7	10	-	dB
$\eta_D$	drain efficiency	$P_L = 130\text{ W}$	45	50	-	%
$P_{droop(pulse)}$	pulse droop power	$P_L = 130\text{ W}$	-	0	0.3	dB
$t_r$	rise time	$P_L = 130\text{ W}$	-	20	50	ns
$t_f$	fall time	$P_L = 130\text{ W}$	-	6	50	ns

**6.1 Ruggedness in class-AB operation**

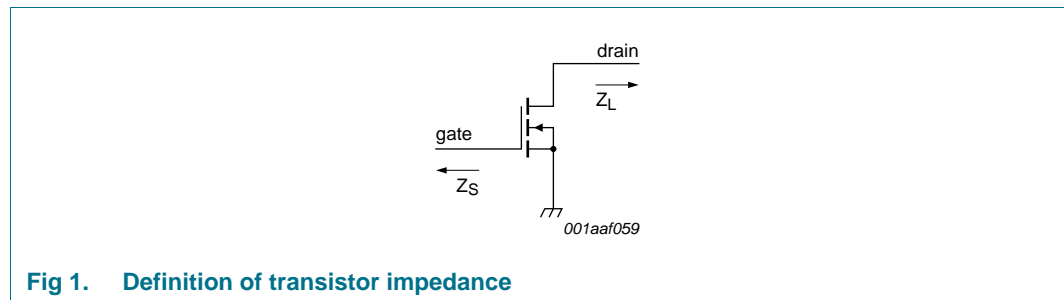
The BLL6H0514L-130 and BLL6H0514LS-130 are capable of withstanding a load mismatch corresponding to VSWR = 5 : 1 through all phases under the following conditions:  $V_{DS} = 50\text{ V}$ ;  $I_{DQ} = 50\text{ mA}$ ;  $P_L = 130\text{ W}$ ;  $f = 1.2\text{ GHz to }1.4\text{ GHz}$ ;  $t_p = 300\text{ }\mu\text{s}$ ;  $\delta = 10\text{ }\%$ .

**7. Application information**

**7.1 Impedance information**

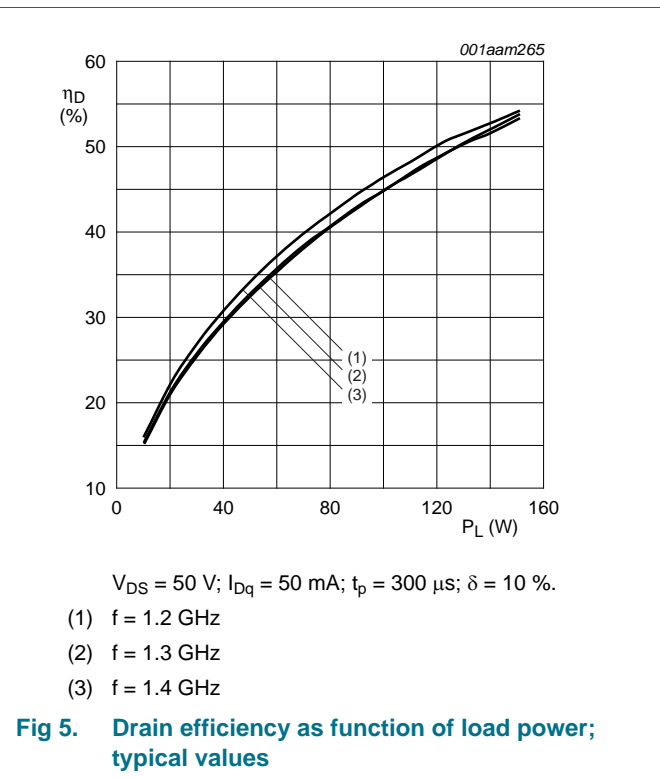
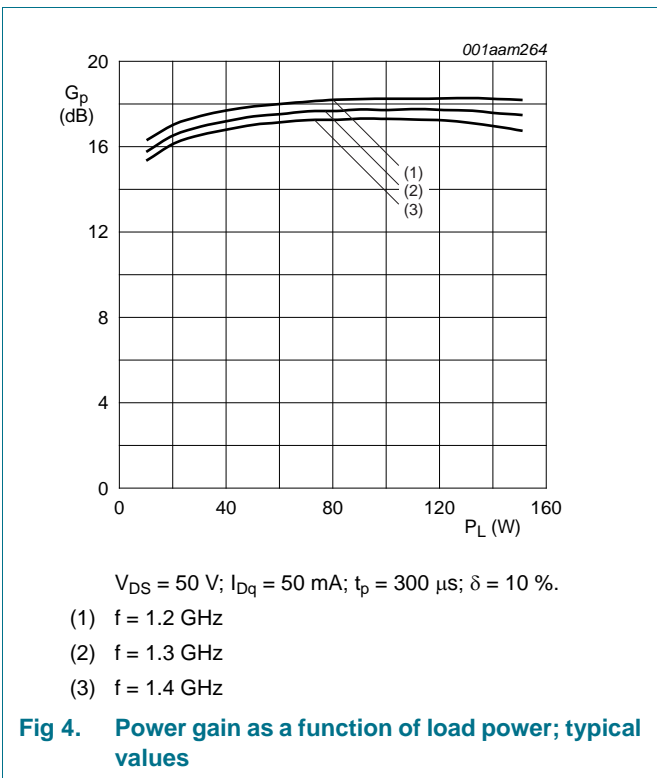
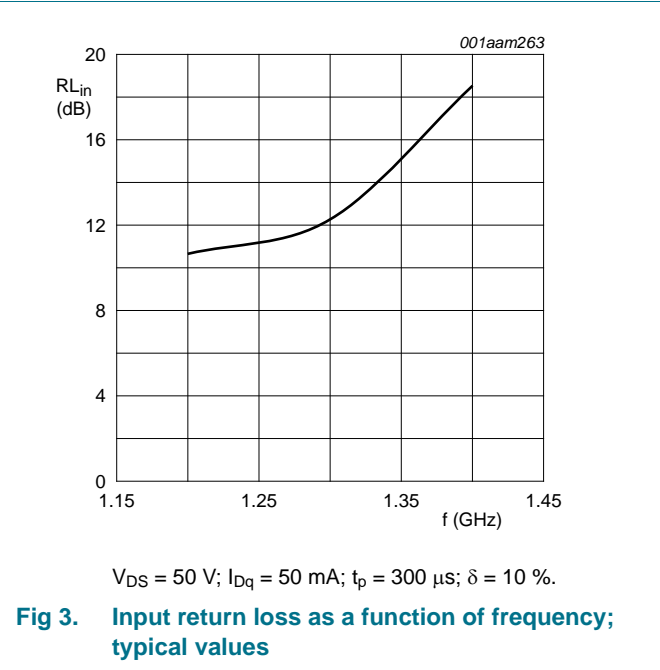
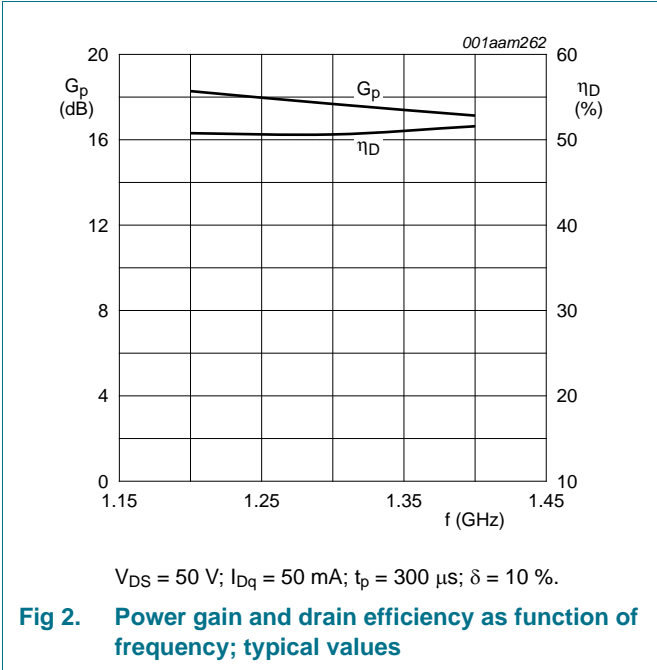
**Table 8. Typical impedance**

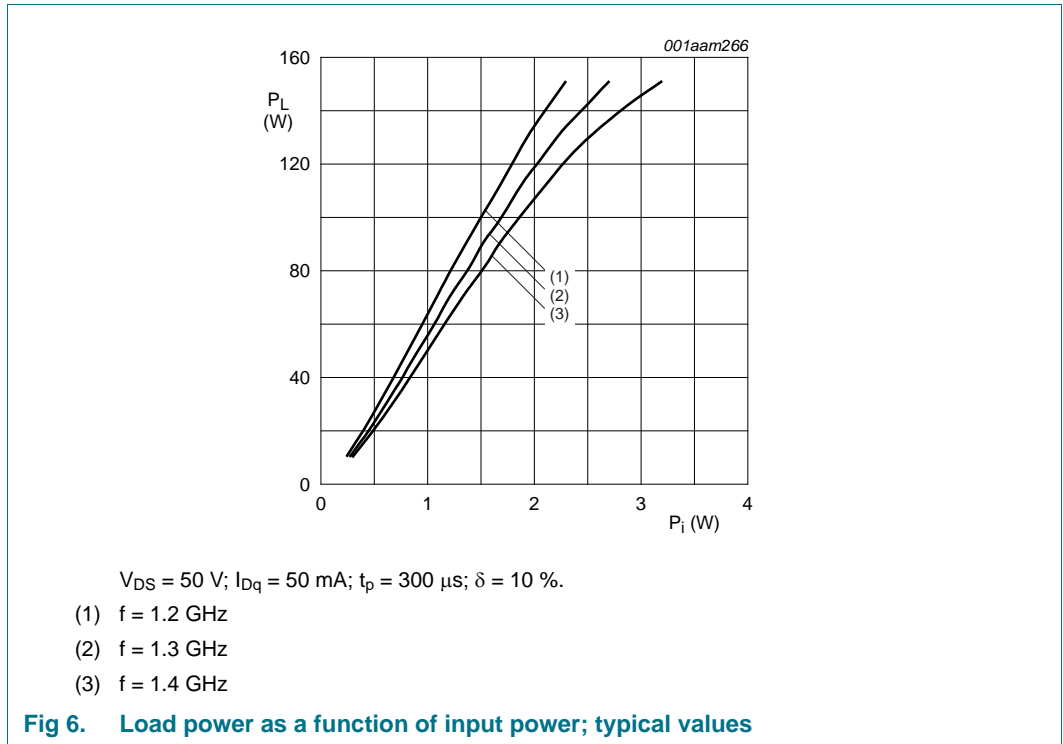
<b>f</b> <b>MHz</b>	<b>Z<sub>S</sub></b> <b><math>\Omega</math></b>	<b>Z<sub>L</sub></b> <b><math>\Omega</math></b>
1200	1.21 – j3.44	2.40 – j0.63
1300	1.56 – j4.49	2.30 – j0.87
1400	2.21 – j4.86	2.00 – j1.71



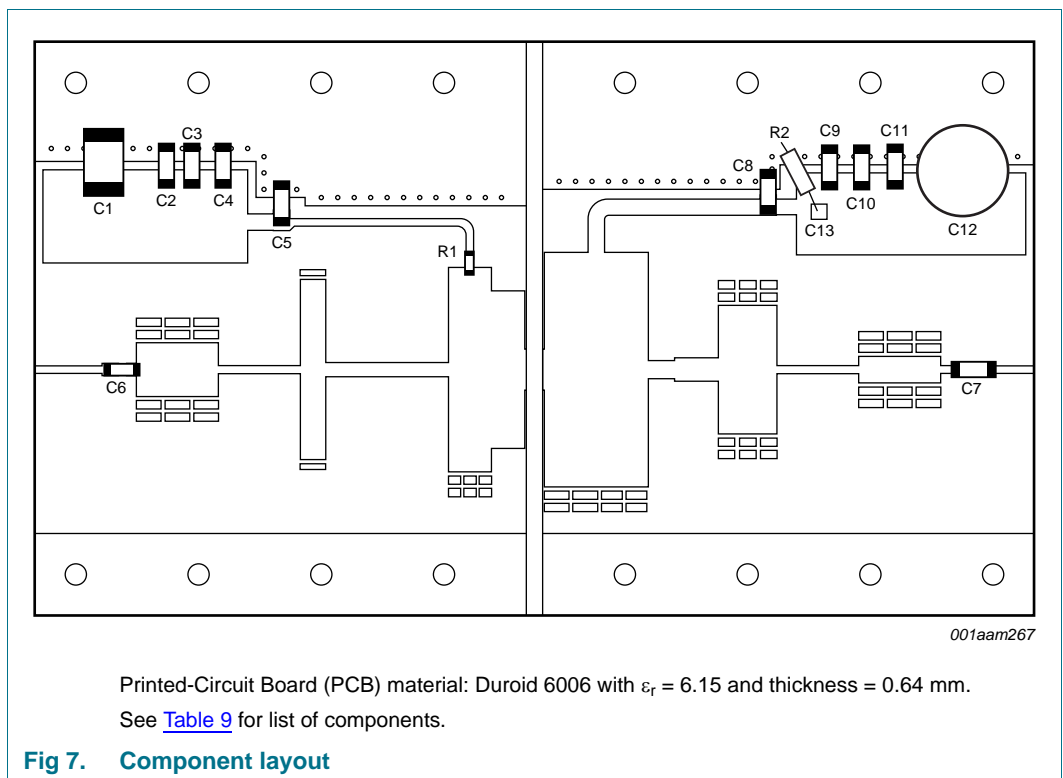
**Fig 1. Definition of transistor impedance**

7.2 Performance curves





## 8. Test information



**Table 9. List of components**See [Figure 7](#) for component layout.

Component	Description	Value	Remarks
C1	multilayer ceramic chip capacitor	10 $\mu$ F; 50 V	
C2, C11	multilayer ceramic chip capacitor	1 nF	[1]
C3, C4, C6, C9, C10	multilayer ceramic chip capacitor	100 pF	[2]
C5, C7, C8	multilayer ceramic chip capacitor	43 pF	[2]
C12	electrolytic capacitor	220 $\mu$ F; 63 V	
C13	multilayer ceramic chip capacitor	1 nF	[3] fitted vertically in series with R2
R1	SMD resistor	10 $\Omega$	SMD 0603
R2	wirewound lead resistor	2.61 $\Omega$ ; 0.25 W	fitted in series with C13

[1] American Technical Ceramics type 700A or capacitor of same quality.

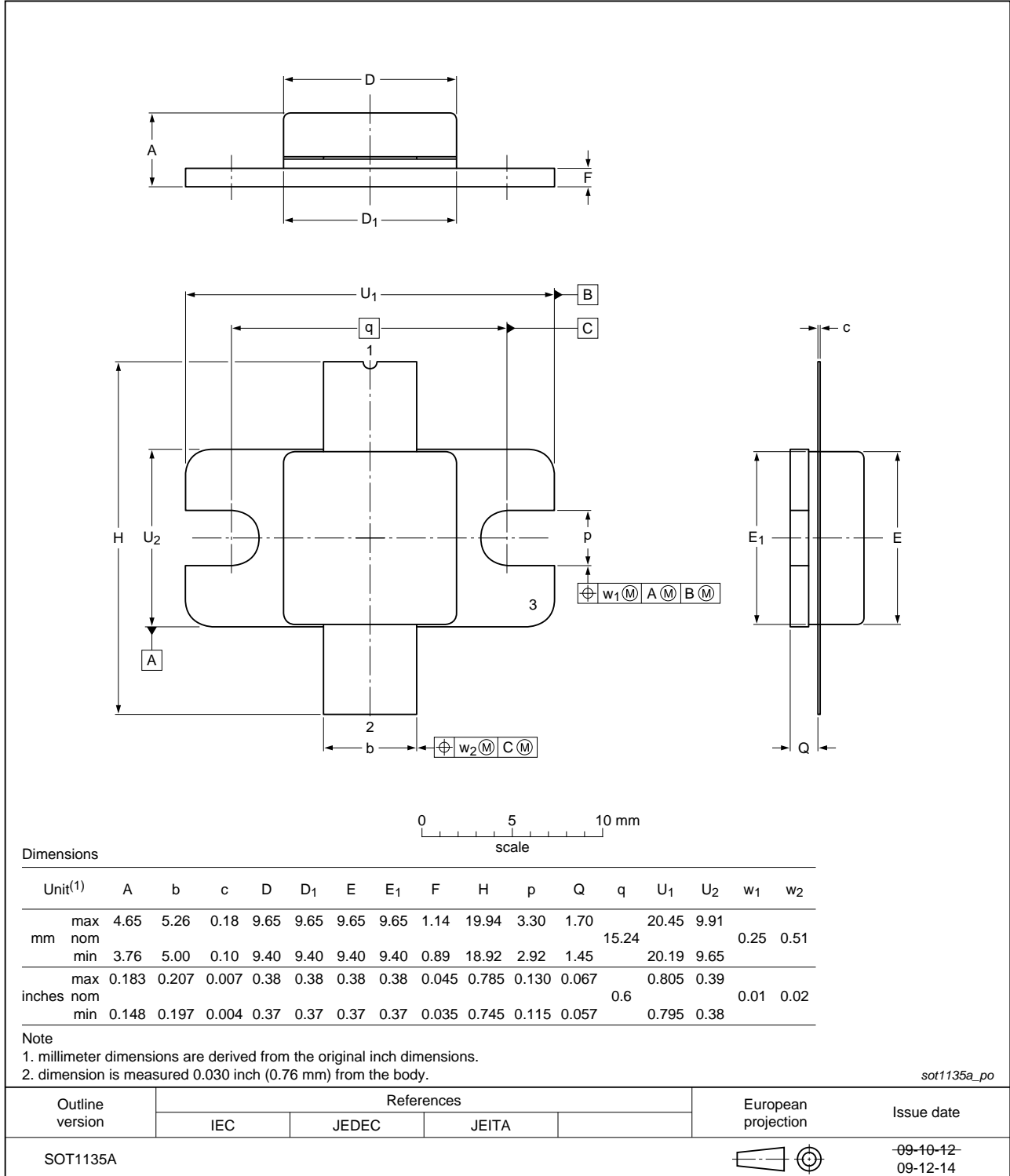
[2] American Technical Ceramics type 100A or capacitor of same quality.

[3] American Technical Ceramics type 100B or capacitor of same quality.

**9. Package outline**

Flanged ceramic package; 2 mounting holes; 2 leads

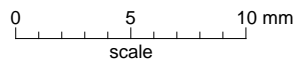
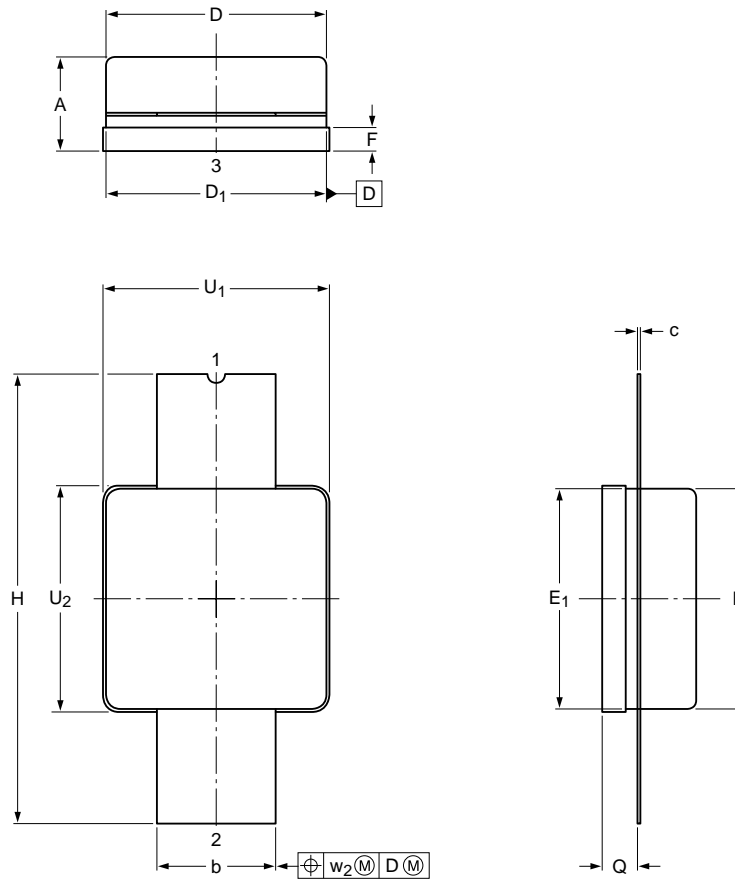
SOT1135A



**Fig 8. Package outline SOT1135A**

Earless flanged ceramic package; 2 leads

SOT1135B



Dimensions

Unit <sup>(1)</sup>	A	b	c	D	D <sub>1</sub>	E	E <sub>1</sub>	F	H	Q	U <sub>1</sub>	U <sub>2</sub>	w <sub>2</sub>
mm	max	4.65	5.26	0.18	9.65	9.65	9.65	1.14	19.94	1.70	9.91	9.91	0.51
	nom												
	min	3.76	5.00	0.10	9.40	9.40	9.40	0.89	18.92	1.45	9.65	9.65	
inches	max	0.183	0.207	0.007	0.38	0.38	0.38	0.045	0.785	0.067	0.39	0.39	0.02
	nom												
	min	0.148	0.197	0.004	0.37	0.37	0.37	0.035	0.745	0.057	0.38	0.38	

Note

1. millimeter dimensions are derived from the original inch dimensions.
2. dimension is measured 0.030 inch (0.76 mm) from the body.

sot1135b\_po

Outline version	References			European projection	Issue date
	IEC	JEDEC	JEITA		
SOT1135B					-09-10-12- 09-12-14

Fig 9. Package outline SOT1135B

## 10. Handling information

### CAUTION



This device is sensitive to ElectroStatic Discharge (ESD). Observe precautions for handling electrostatic sensitive devices.

Such precautions are described in the *ANSI/ESD S20.20*, *IEC/ST 61340-5*, *JESD625-A* or equivalent standards.

## 11. Abbreviations

Table 10. Abbreviations

Acronym	Description
LDMOS	Laterally Diffused Metal-Oxide Semiconductor
RF	Radio Frequency
SMD	Surface Mounted Device
VSWR	Voltage Standing-Wave Ratio

## 12. Revision history

Table 11. Revision history

Document ID	Release date	Data sheet status	Change notice	Supersedes
BLL6H0514L-130_0514LS-130 v.2	20100913	Product data sheet	-	BLL6H0514L-130_0514LS-130 v.1
Modifications:		<ul style="list-style-type: none"> <li><a href="#">Section 1.1 on page 1</a>: Caution about ESD has been moved to <a href="#">Section 10 on page 10</a>.</li> <li>The status of this data sheet has been changed to Product data sheet.</li> </ul>		
BLL6H0514L-130_0514LS-130 v.1	20100809	Preliminary data sheet	-	-

## 13. Legal information

### 13.1 Data sheet status

Document status <sup>[1][2]</sup>	Product status <sup>[3]</sup>	Definition
Objective [short] data sheet	Development	This document contains data from the objective specification for product development.
Preliminary [short] data sheet	Qualification	This document contains data from the preliminary specification.
Product [short] data sheet	Production	This document contains the product specification.

[1] Please consult the most recently issued document before initiating or completing a design.

[2] The term 'short data sheet' is explained in section "Definitions".

[3] The product status of device(s) described in this document may have changed since this document was published and may differ in case of multiple devices. The latest product status information is available on the Internet at URL <http://www.nxp.com>.

### 13.2 Definitions

**Draft** — The document is a draft version only. The content is still under internal review and subject to formal approval, which may result in modifications or additions. NXP Semiconductors does not give any representations or warranties as to the accuracy or completeness of information included herein and shall have no liability for the consequences of use of such information.

**Short data sheet** — A short data sheet is an extract from a full data sheet with the same product type number(s) and title. A short data sheet is intended for quick reference only and should not be relied upon to contain detailed and full information. For detailed and full information see the relevant full data sheet, which is available on request via the local NXP Semiconductors sales office. In case of any inconsistency or conflict with the short data sheet, the full data sheet shall prevail.

**Product specification** — The information and data provided in a Product data sheet shall define the specification of the product as agreed between NXP Semiconductors and its customer, unless NXP Semiconductors and customer have explicitly agreed otherwise in writing. In no event however, shall an agreement be valid in which the NXP Semiconductors product is deemed to offer functions and qualities beyond those described in the Product data sheet.

### 13.3 Disclaimers

**Limited warranty and liability** — Information in this document is believed to be accurate and reliable. However, NXP Semiconductors does not give any representations or warranties, expressed or implied, as to the accuracy or completeness of such information and shall have no liability for the consequences of use of such information.

In no event shall NXP Semiconductors be liable for any indirect, incidental, punitive, special or consequential damages (including - without limitation - lost profits, lost savings, business interruption, costs related to the removal or replacement of any products or rework charges) whether or not such damages are based on tort (including negligence), warranty, breach of contract or any other legal theory.

Notwithstanding any damages that customer might incur for any reason whatsoever, NXP Semiconductors' aggregate and cumulative liability towards customer for the products described herein shall be limited in accordance with the *Terms and conditions of commercial sale* of NXP Semiconductors.

**Right to make changes** — NXP Semiconductors reserves the right to make changes to information published in this document, including without limitation specifications and product descriptions, at any time and without notice. This document supersedes and replaces all information supplied prior to the publication hereof.

**Suitability for use** — NXP Semiconductors products are not designed, authorized or warranted to be suitable for use in life support, life-critical or safety-critical systems or equipment, nor in applications where failure or

malfunction of an NXP Semiconductors product can reasonably be expected to result in personal injury, death or severe property or environmental damage. NXP Semiconductors accepts no liability for inclusion and/or use of NXP Semiconductors products in such equipment or applications and therefore such inclusion and/or use is at the customer's own risk.

**Applications** — Applications that are described herein for any of these products are for illustrative purposes only. NXP Semiconductors makes no representation or warranty that such applications will be suitable for the specified use without further testing or modification.

Customers are responsible for the design and operation of their applications and products using NXP Semiconductors products, and NXP Semiconductors accepts no liability for any assistance with applications or customer product design. It is customer's sole responsibility to determine whether the NXP Semiconductors product is suitable and fit for the customer's applications and products planned, as well as for the planned application and use of customer's third party customer(s). Customers should provide appropriate design and operating safeguards to minimize the risks associated with their applications and products.

NXP Semiconductors does not accept any liability related to any default, damage, costs or problem which is based on any weakness or default in the customer's applications or products, or the application or use by customer's third party customer(s). Customer is responsible for doing all necessary testing for the customer's applications and products using NXP Semiconductors products in order to avoid a default of the applications and the products or of the application or use by customer's third party customer(s). NXP does not accept any liability in this respect.

**Limiting values** — Stress above one or more limiting values (as defined in the Absolute Maximum Ratings System of IEC 60134) will cause permanent damage to the device. Limiting values are stress ratings only and (proper) operation of the device at these or any other conditions above those given in the Recommended operating conditions section (if present) or the Characteristics sections of this document is not warranted. Constant or repeated exposure to limiting values will permanently and irreversibly affect the quality and reliability of the device.

**Terms and conditions of commercial sale** — NXP Semiconductors products are sold subject to the general terms and conditions of commercial sale, as published at <http://www.nxp.com/profile/terms>, unless otherwise agreed in a valid written individual agreement. In case an individual agreement is concluded only the terms and conditions of the respective agreement shall apply. NXP Semiconductors hereby expressly objects to applying the customer's general terms and conditions with regard to the purchase of NXP Semiconductors products by customer.

**No offer to sell or license** — Nothing in this document may be interpreted or construed as an offer to sell products that is open for acceptance or the grant, conveyance or implication of any license under any copyrights, patents or other industrial or intellectual property rights.

**Export control** — This document as well as the item(s) described herein may be subject to export control regulations. Export might require a prior authorization from national authorities.

**Non-automotive qualified products** — Unless this data sheet expressly states that this specific NXP Semiconductors product is automotive qualified, the product is not suitable for automotive use. It is neither qualified nor tested in accordance with automotive testing or application requirements. NXP Semiconductors accepts no liability for inclusion and/or use of non-automotive qualified products in automotive equipment or applications.

In the event that customer uses the product for design-in and use in automotive applications to automotive specifications and standards, customer (a) shall use the product without NXP Semiconductors' warranty of the product for such automotive applications, use and specifications, and (b) whenever customer uses the product for automotive applications beyond

NXP Semiconductors' specifications such use shall be solely at customer's own risk, and (c) customer fully indemnifies NXP Semiconductors for any liability, damages or failed product claims resulting from customer design and use of the product for automotive applications beyond NXP Semiconductors' standard warranty and NXP Semiconductors' product specifications.

## 13.4 Trademarks

Notice: All referenced brands, product names, service names and trademarks are the property of their respective owners.

## 14. Contact information

For more information, please visit: <http://www.nxp.com>

For sales office addresses, please send an email to: [salesaddresses@nxp.com](mailto:salesaddresses@nxp.com)

**15. Contents**

**1 Product profile . . . . . 1**

1.1 General description . . . . . 1

1.2 Features and benefits . . . . . 1

1.3 Applications . . . . . 1

**2 Pinning information . . . . . 2**

**3 Ordering information . . . . . 2**

**4 Limiting values . . . . . 2**

**5 Thermal characteristics . . . . . 3**

**6 Characteristics . . . . . 3**

6.1 Ruggedness in class-AB operation . . . . . 4

**7 Application information . . . . . 4**

7.1 Impedance information . . . . . 4

7.2 Performance curves . . . . . 5

**8 Test information . . . . . 6**

**9 Package outline . . . . . 8**

**10 Handling information . . . . . 10**

**11 Abbreviations . . . . . 10**

**12 Revision history . . . . . 10**

**13 Legal information . . . . . 11**

13.1 Data sheet status . . . . . 11

13.2 Definitions . . . . . 11

13.3 Disclaimers . . . . . 11

13.4 Trademarks . . . . . 12

**14 Contact information . . . . . 12**

**15 Contents . . . . . 13**

Please be aware that important notices concerning this document and the product(s) described herein, have been included in section 'Legal information'.