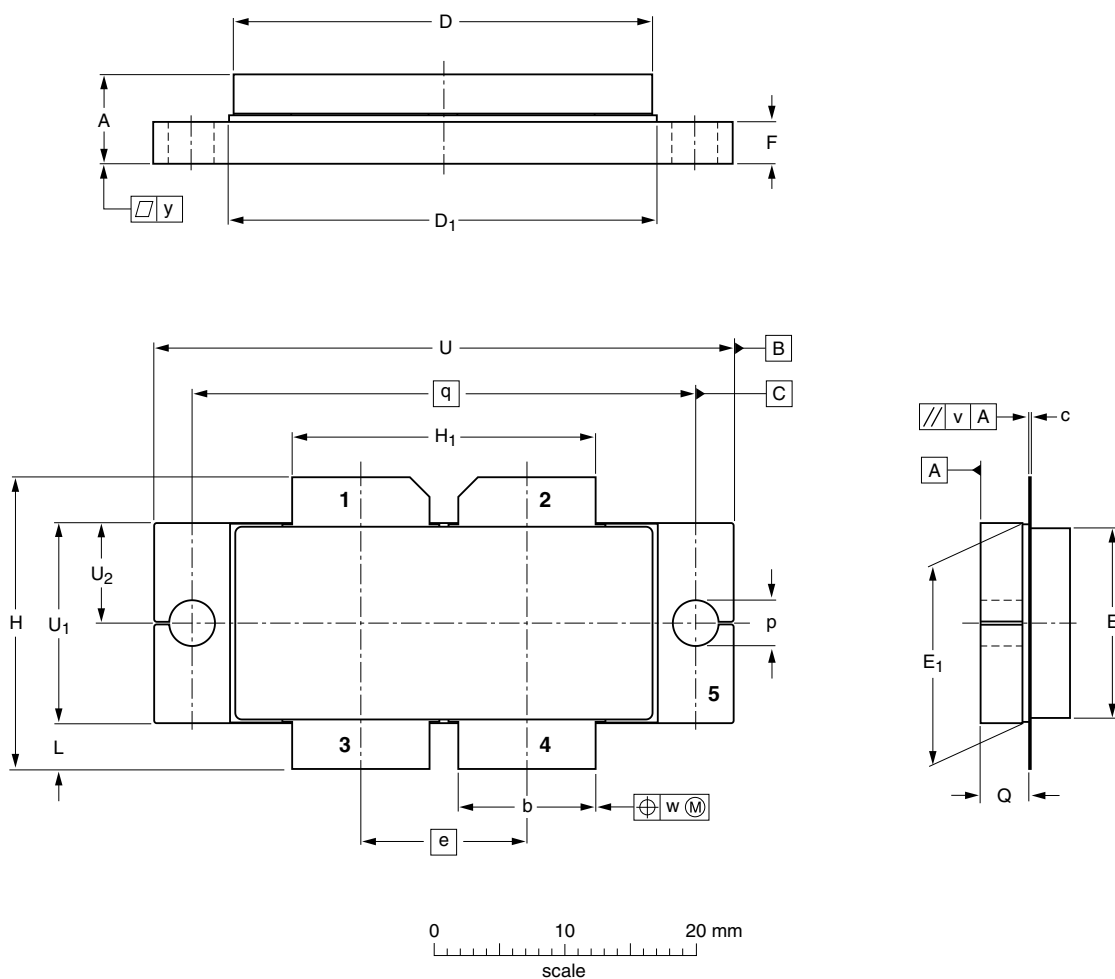


Flanged double-ended ceramic package; 2 mounting holes; 4 leads


SOT800A

Package under development
Philips Semiconductors reserves the right to make changes without notice.



DIMENSIONS (mm dimensions are derived from the original inch dimensions)

UNIT	A	b	c	D	D ₁	E	E ₁	e	F	H	H ₁	L	p	Q	q	U	U ₁	U ₂	v	w	y
mm	7.1	10.55	0.15	32.3	32.8	14.6	15.3	12.7	3.3	22.8	23.35	3.7	3.56	4.0	38.55	44.5	15.4	7.75	0.3	0.25	0.1
	6.6	10.45	0.10	31.7	32.6	14.4	15.1		3.1	21.8	23.05	3.3	3.51	3.7	38.45	44.2	15.0	7.55			

OUTLINE VERSION	REFERENCES				EUROPEAN PROJECTION	ISSUE DATE
	IEC	JEDEC	JEITA			
SOT800A						03-11-18