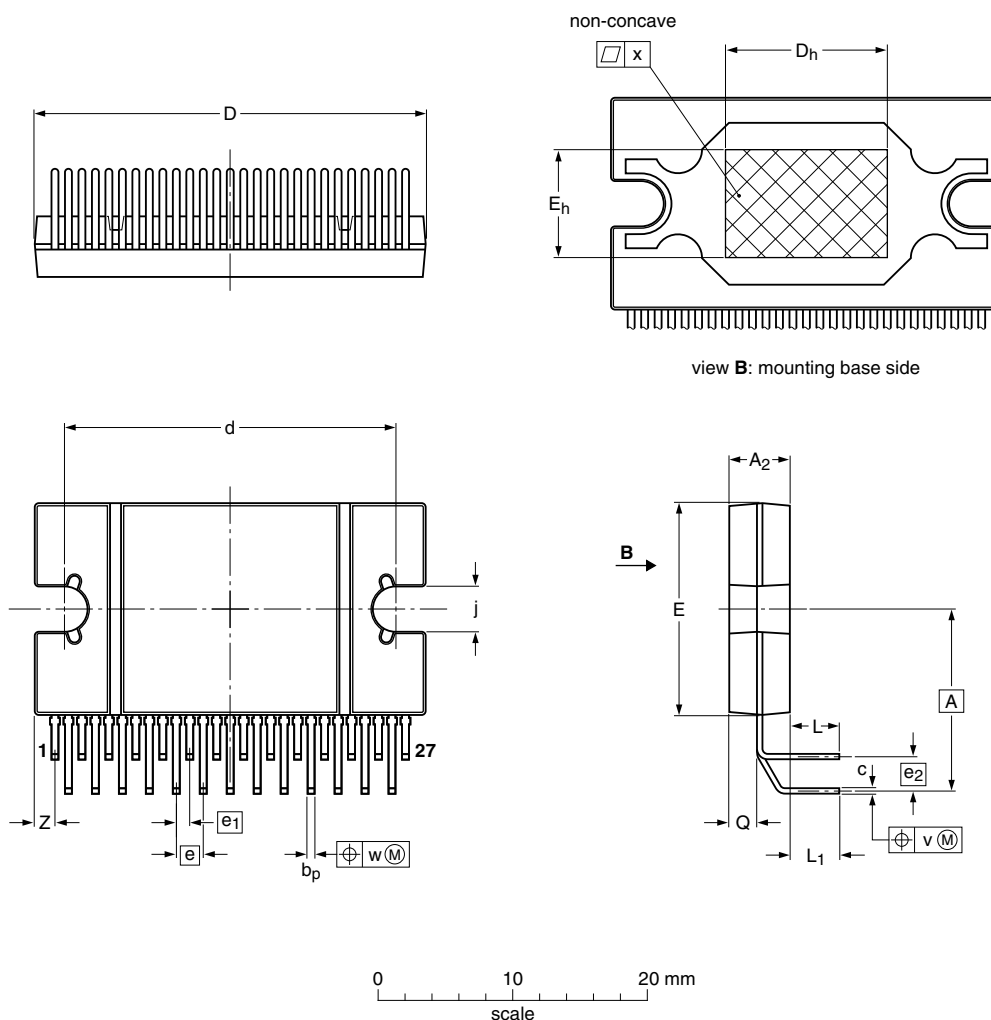


RDBS27P: plastic rectangular-DIL-bent-SIL (reverse bent) power package; 27 leads (row spacing 2.54 mm)

SOT878-1

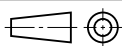


DIMENSIONS (mm are the original dimensions)

UNIT	A	A ₂	b _p	c	D ⁽¹⁾	d	D _h	E ⁽¹⁾	e	e ₁	e ₂	E _h	j	L	L ₁	Q	v	w	x	Z ⁽¹⁾
mm	13.5	4.65 4.35	0.60 0.45	0.5 0.3	29.2 28.8	25.8 25.4	12	15.9 15.5	2	1	2.54	8	3.4 3.1	3.75 3.15	3.75 3.15	2.1 1.8	0.6	0.25	0.03	1.8 1.2

Note

1. Plastic or metal protrusions of 0.25 mm maximum per side are not included

OUTLINE VERSION	REFERENCES				EUROPEAN PROJECTION	ISSUE DATE
	IEC	JEDEC	JEITA			
SOT878-1						-05-01-11 05-01-26