



Eval kit for JODY-W263 Wi-Fi®/ Bluetooth® module

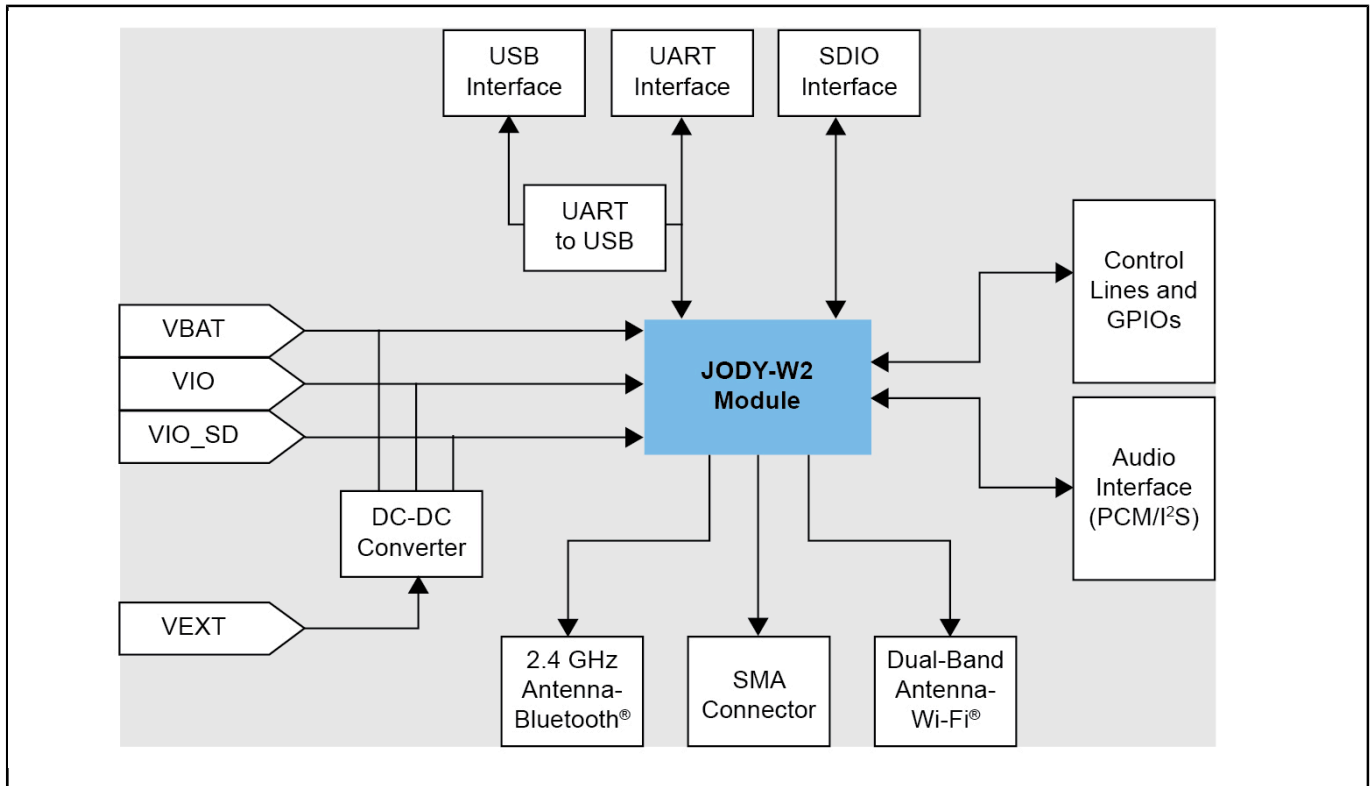
UB-JODY-W263

Last Updated: Apr 4, 2024

EVK-JODY-W263 allows an external host processor to access several practical features for testing and evaluating the Wi-Fi and Bluetooth connectivity supported in JODY-W2 series modules, including:

- An external connector to all host interfaces (SDIO and UART)
- PCM interface through an on board accessible connector
- GPIO pins that are accessible through an on board connector
- Internal dual-band 2.4/5 GHz antennas for Wi-Fi and Bluetooth
- SMA connectors for external antennas
- Module interfaces that are all externally available via the pin headers

Evaluation Kit JODY-W263 Block Diagram Block Diagram



View additional information for [Eval kit for JODY-W263 Wi-Fi®/Bluetooth® module](#).

Note: The information on this document is subject to change without notice.

www.nxp.com

NXP and the NXP logo are trademarks of NXP B.V. All other product or service names are the property of their respective owners. The related technology may be protected by any or all of patents, copyrights, designs and trade secrets. All rights reserved. © 2024 NXP B.V.