



通用**SiGe:C**射频**Cascode**低噪声放大器

MBC13917

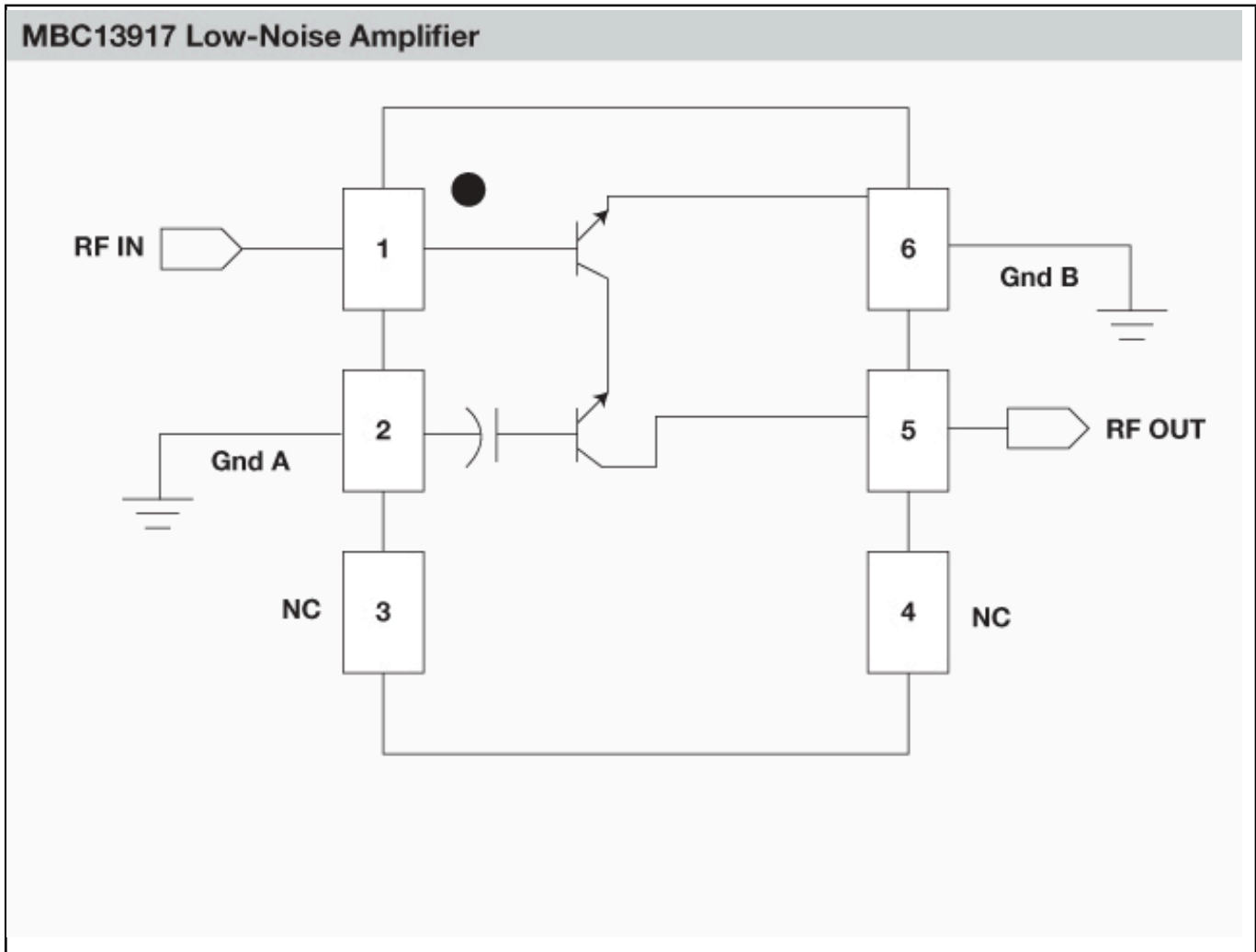
存档

本页面包含有关样品阶段产品的信息。此处的规格和信息如有更改，恕不另行通知。如需了解其他信息，请联系支持人员或您的销售代表。

Last Updated: Mar 8, 2023

MBC13917是一款高性价比的高隔离度放大器，运用飞思卡尔先进的射频**BiCMOS**工艺制造，采用了**SiGe:C**模块。它是**MBC13916**器件的无管脚封装型号。该器件专为各种通用射频应用而设计，还具备卓越的高频增益和低噪声系数。片上偏置电路可设置偏置点，同时完成片外匹配，可提供最大的应用灵活性。

Freescale MBC13917 Low Noise Amplifier Block Diagram Block Diagram



View additional information for [通用SiGe:C射频Cascode低噪声放大器](#).

Note: The information on this document is subject to change without notice.

www.nxp.com

NXP and the NXP logo are trademarks of NXP B.V. All other product or service names are the property of their respective owners. The related technology may be protected by any or all of patents, copyrights, designs and trade secrets. All rights reserved. © 2024 NXP B.V.