



# LIN系统基础芯片

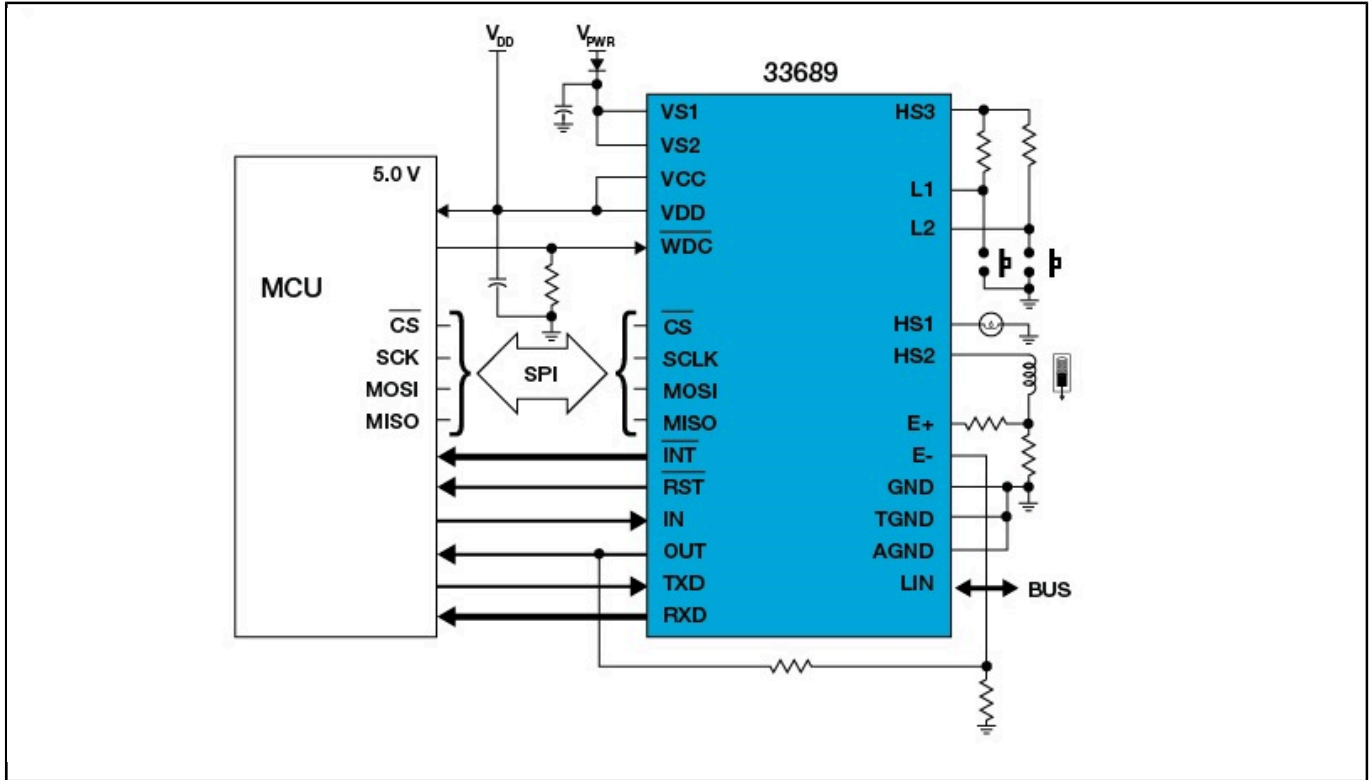
## MC33689

Last Updated: Jul 20, 2023

恩智浦MC33689是一款由串行外设接口(SPI)控制的系统基础芯片，集成了基于MCU的系统中常用的多种功能和LIN收发器。该器件适合的应用包括电动车窗、后视镜和座椅控制等。

- 5.0V, 50mA的低压差稳压器，具有全面保护和报告功能
- SPI完全可读的诊断功能和可选择的定时看门狗，用来监测错误操作
- 3个工作模式：正常模式(提供所有功能)、睡眠模式(VDD关闭，通过LIN总线或唤醒输入唤醒)，停止模式(VDD开启，通过MCU、LIN总线或唤醒输入唤醒)

## MC33689 Simplified Application Block Diagram Block Diagram



View additional information for [LIN系统基础芯片](#).

Note: The information on this document is subject to change without notice.

[www.nxp.com](http://www.nxp.com)

NXP and the NXP logo are trademarks of NXP B.V. All other product or service names are the property of their respective owners. The related technology may be protected by any or all of patents, copyrights, designs and trade secrets. All rights reserved. © 2024 NXP B.V.