



# DSI 2.02 传感器接口

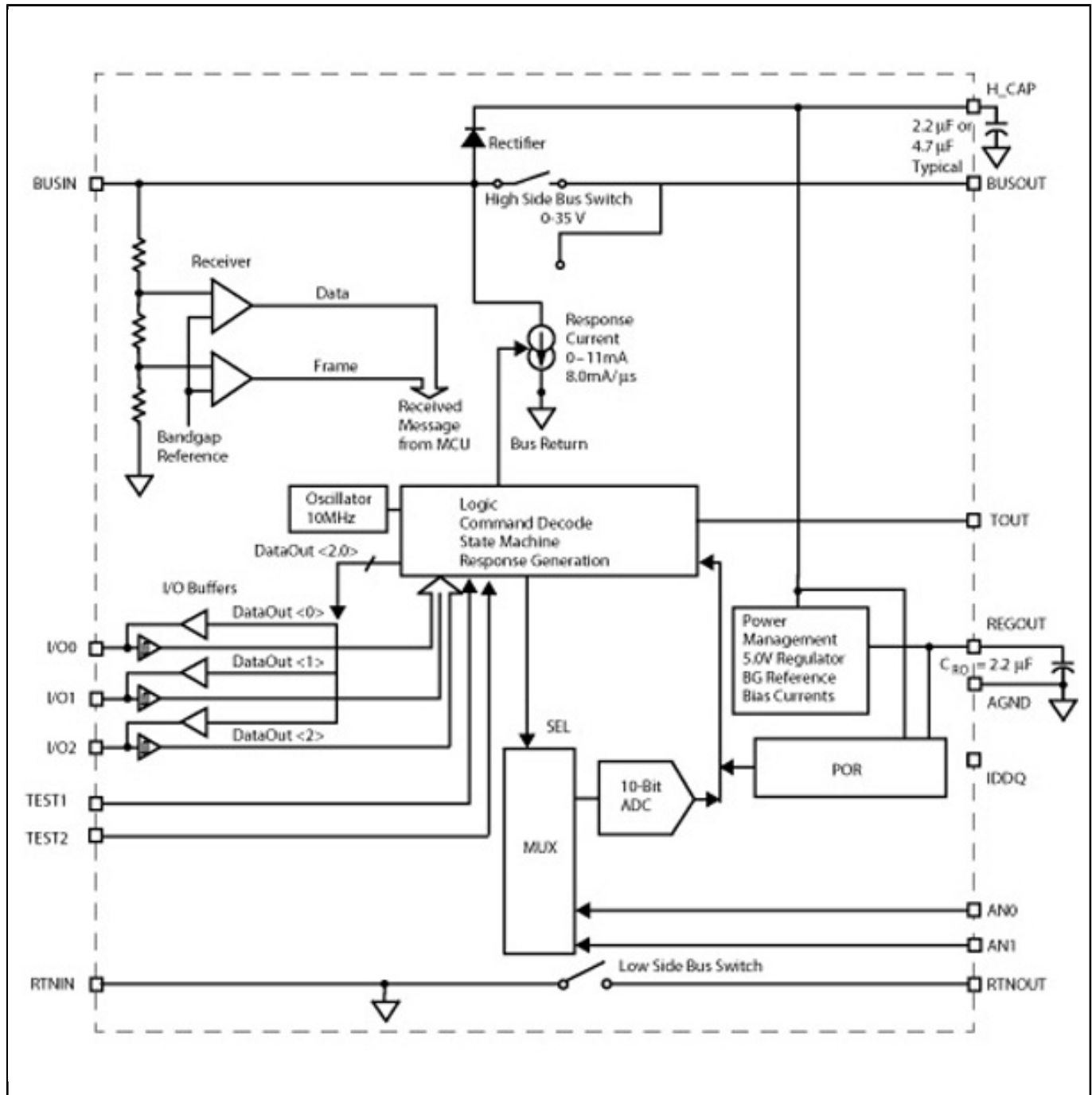
## MC33784

Last Updated: Apr 8, 2022

恩智浦MC33784是与分布式系统接口总线(DBUS)2.02版本兼容的从器件，是经过优化的传感器接口。

- 它包含为传感器(如加速度传感器)供电的电路，可以将来自传感器的模拟信号数字化。
- 这个器件由通过总线发送的命令来控制，并通过总线回传数据及其它信息。
- 工具：评估板数量有限，请联系相关的销售人员。

# Freescale MC33784 Network Transceivers Block Diagram Block Diagram



View additional information for [DSI 2.02传感器接口](#).

Note: The information on this document is subject to change without notice.

**[www.nxp.com](http://www.nxp.com)**

NXP and the NXP logo are trademarks of NXP B.V. All other product or service names are the property of their respective owners. The related technology may be protected by any or all of patents, copyrights, designs and trade secrets. All rights reserved. © 2024 NXP B.V.