



面向电磁控制的**SD6**可编程驱动器

MC33816

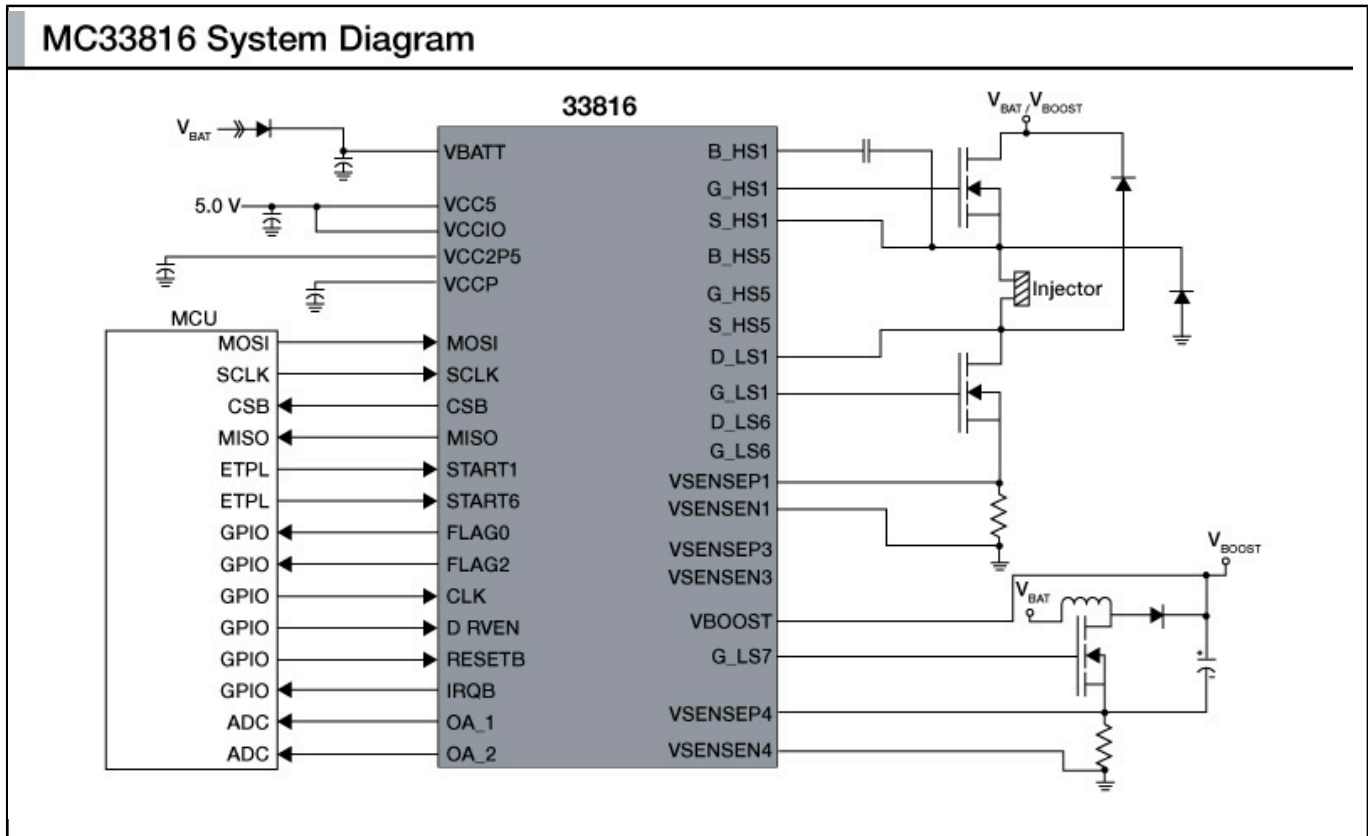
Last Updated: Jul 20, 2023

恩智浦® **MC33816**是一个可编程栅极驱动器IC，适用于精确的电磁控制应用。

- 该IC包含**5**个外部**MOSFET**高边预驱动器和**7**个外部**MOSFET**低边预驱动器
- 为**MOSFET**的栅极驱动提供了一个灵活的解决方案，实现了多功能控制和最佳延迟时间
- 栅极驱动，诊断和保护功能通过**4**个独立的微内核、两个代码**RAM**和两个数据**RAM Bank**来管理
- 该IC包含两个内部稳压器

[查看内部电路图](#)

MC33816 System Diagram Block Diagram



View additional information for [面向电磁控制的SD6可编程驱动器](#).

Note: The information on this document is subject to change without notice.

www.nxp.com

NXP and the NXP logo are trademarks of NXP B.V. All other product or service names are the property of their respective owners. The related technology may be protected by any or all of patents, copyrights, designs and trade secrets. All rights reserved. © 2024 NXP B.V.