



开关检测接口，22 I/O，可编程湿电流， 温度传感器，3.3V/5.0V **SPI**

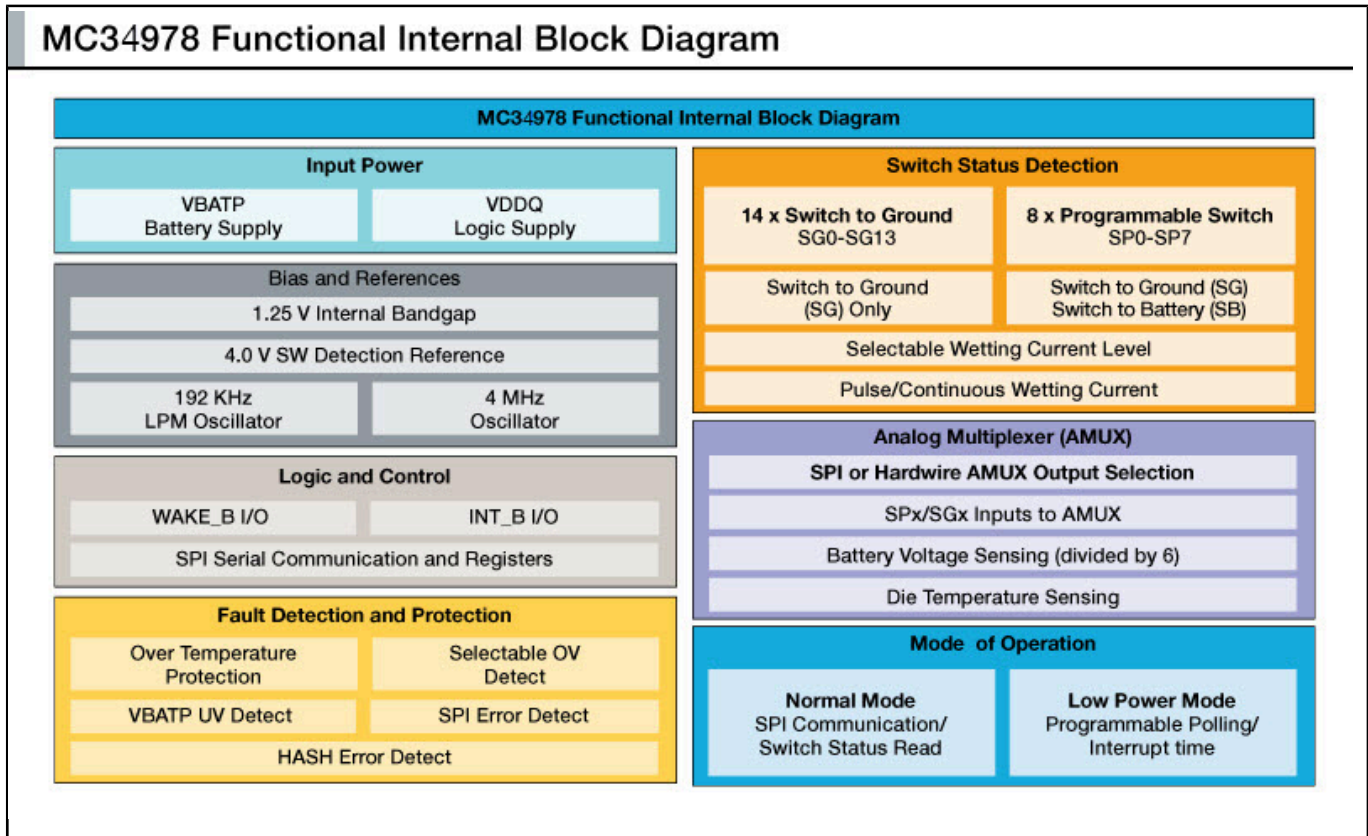
MC34978

Last Updated: Jul 20, 2023

恩智浦®MC34978是多开关检测接口(MSDI)器件，可在工业控制环境中检测多达22个开关触点的关闭和开启。

- 开关状态（开启或关闭）会通过一个串行外设接口(SPI)传输至微处理器
- 该SMARTMOS®器件还具备一个24对1模拟复用器，可读取模拟输入值
- 可以根据应用需求在正常模式和低功耗模式(LPM)下逐个选择输入电流
- 电池和温度监测器包含在集成电路中，可通过AMUX引脚提供
- 这款产品可与支持SPI通信的任何微控制器连接

开关检测接口, 22 I/O, 可编程湿电流, 温度传感器, 3.3V/5.0V **SPI Block Diagram**



View additional information for [开关检测接口](#), [22 I/O](#), [可编程湿电流](#), [温度传感器](#), [3.3V/5.0V SPI](#).

Note: The information on this document is subject to change without notice.

www.nxp.com

NXP and the NXP logo are trademarks of NXP B.V. All other product or service names are the property of their respective owners. The related technology may be protected by any or all of patents, copyrights, designs and trade secrets. All rights reserved. © 2024 NXP B.V.