



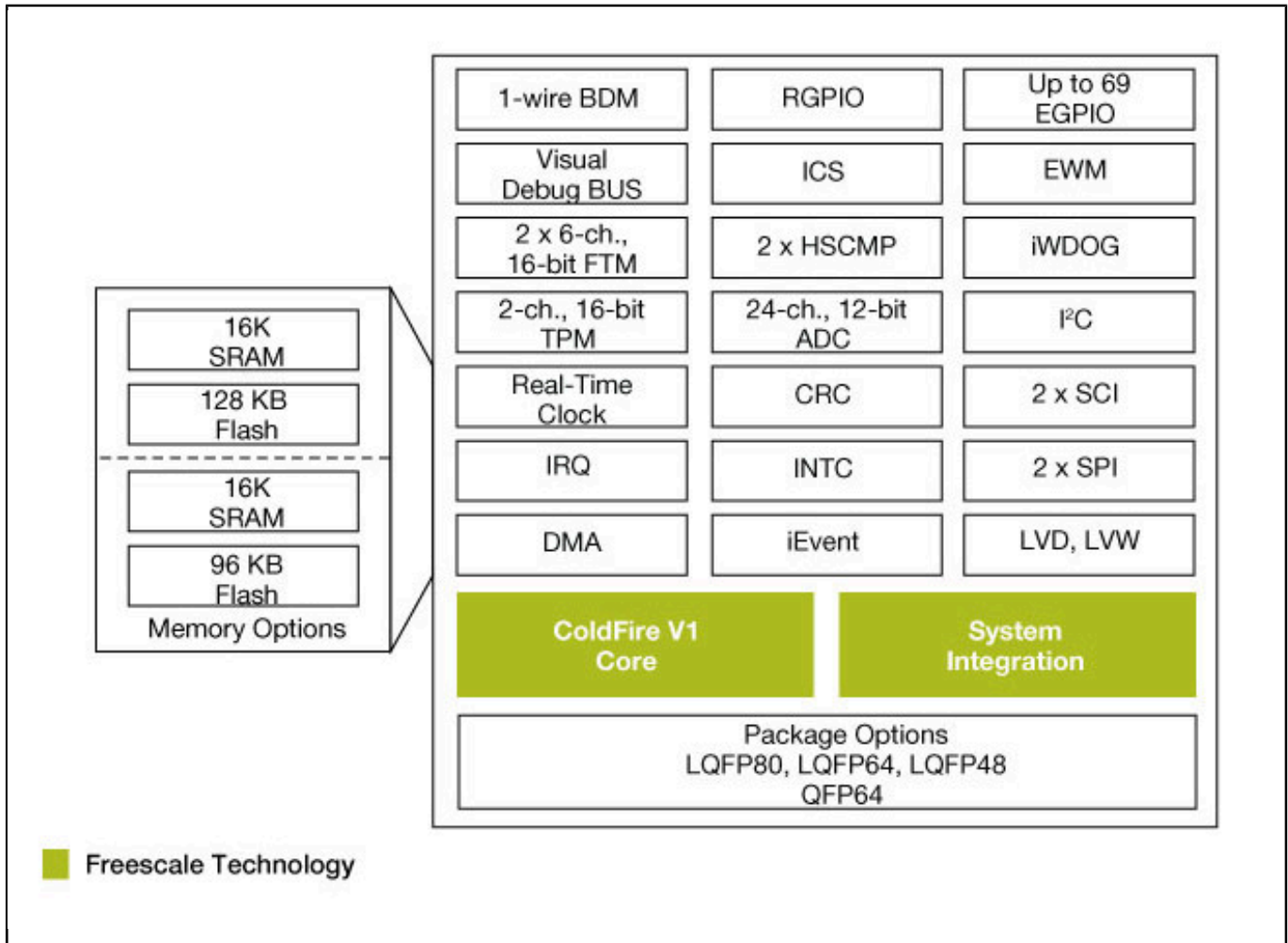
32位ColdFire V1微控制器

MCF51AG

Last Updated: Apr 9, 2022

MCF51AG系列扩展了我们32位ColdFire®微控制器产品组合，提供带有直接存储器访问(DMA)和iEvent模块的产品，可处理数据事务和中断管理，能够减轻CPU负载并提高整体性能。该系列器件面向智能家电和工业应用，配备与其先进的三相电机控制的需求相符的外设组合，能够提高应用的整体能效。此外，该系列器件还包含系统安全和完整性功能，例如高级独立计时COP、外部看门狗监控器和循环冗余校验(CRC)引擎，为IEC法规监管的应用提供故障保护和存储器内容验证。

ColdFire MCF51AG Microcontroller Block Diagram Block Diagram



View additional information for [32位ColdFire V1微控制器](#).

Note: The information on this document is subject to change without notice.

www.nxp.com

NXP and the NXP logo are trademarks of NXP B.V. All other product or service names are the property of their respective owners. The related technology may be protected by any or all of patents, copyrights, designs and trade secrets. All rights reserved. © 2024 NXP B.V.