



带以太网和加密功能的**ColdFire® V4**微处理器

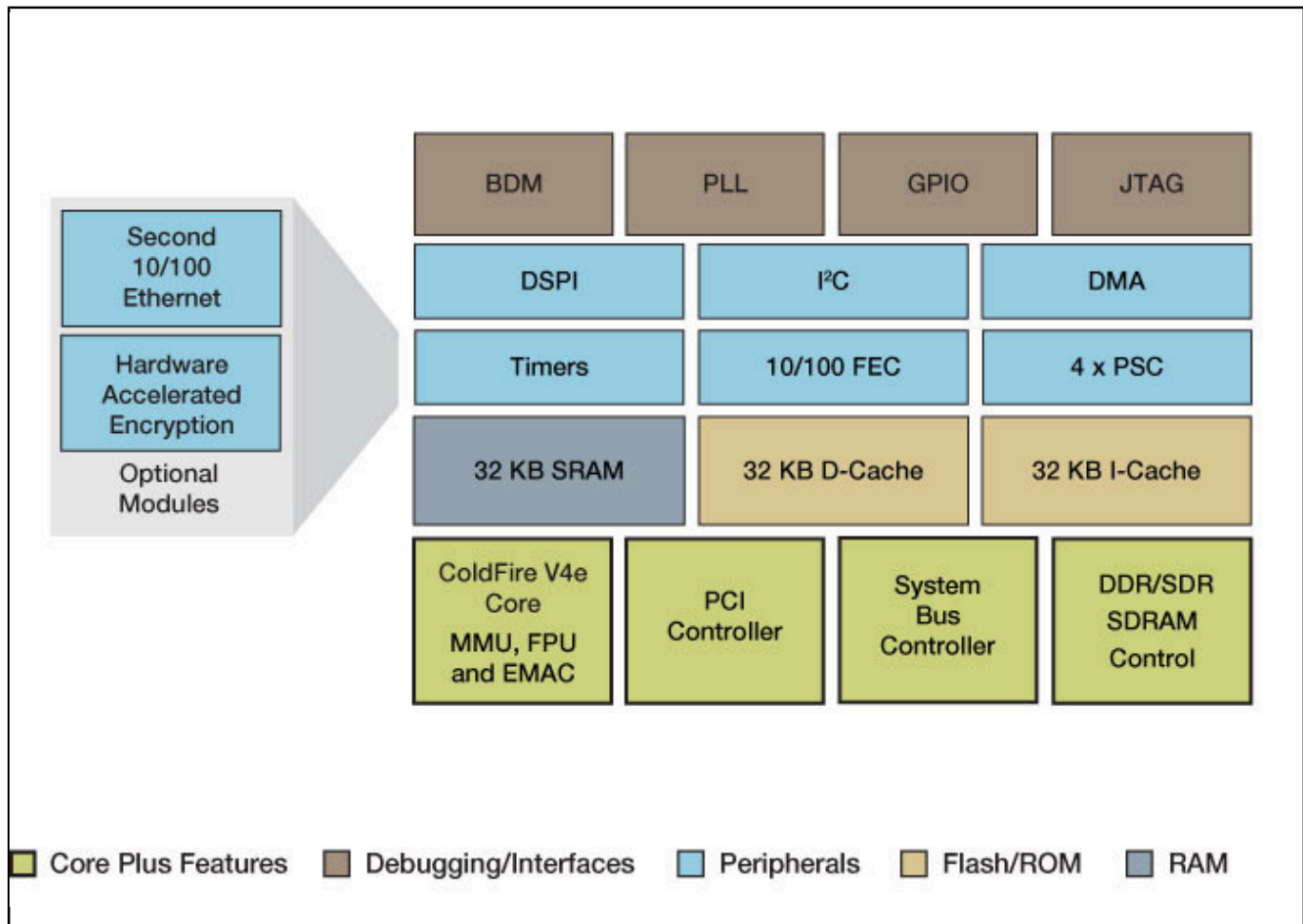
MCF547X

建议不要在新设计中使用该软件
建议不要在新设计中使用本页介绍的产品。

Last Updated: Feb 28, 2023

MCF547x微处理器基于ColdFire V4内核，具有多个连接外设，包括2个以太网、PCI和其它串行接口。并且，它还具有加密加速器，以实现联网的控制应用中的安全通信。MCF547x系列与MCF548X系列微处理器引脚兼容，为那些需要与时俱进的设计带来了扩展性和灵活性。

ColdFire MCF547X Microprocessor Block Diagram Block Diagram



View additional information for [带以太网和加密功能的ColdFire® V4微处理器](#).

Note: The information on this document is subject to change without notice.

www.nxp.com

NXP and the NXP logo are trademarks of NXP B.V. All other product or service names are the property of their respective owners. The related technology may be protected by any or all of patents, copyrights, designs and trade secrets. All rights reserved. © 2024 NXP B.V.