



# 双H桥，电机驱动器，2-6.8V，1.4A，200kHz

## MPC17533

存档

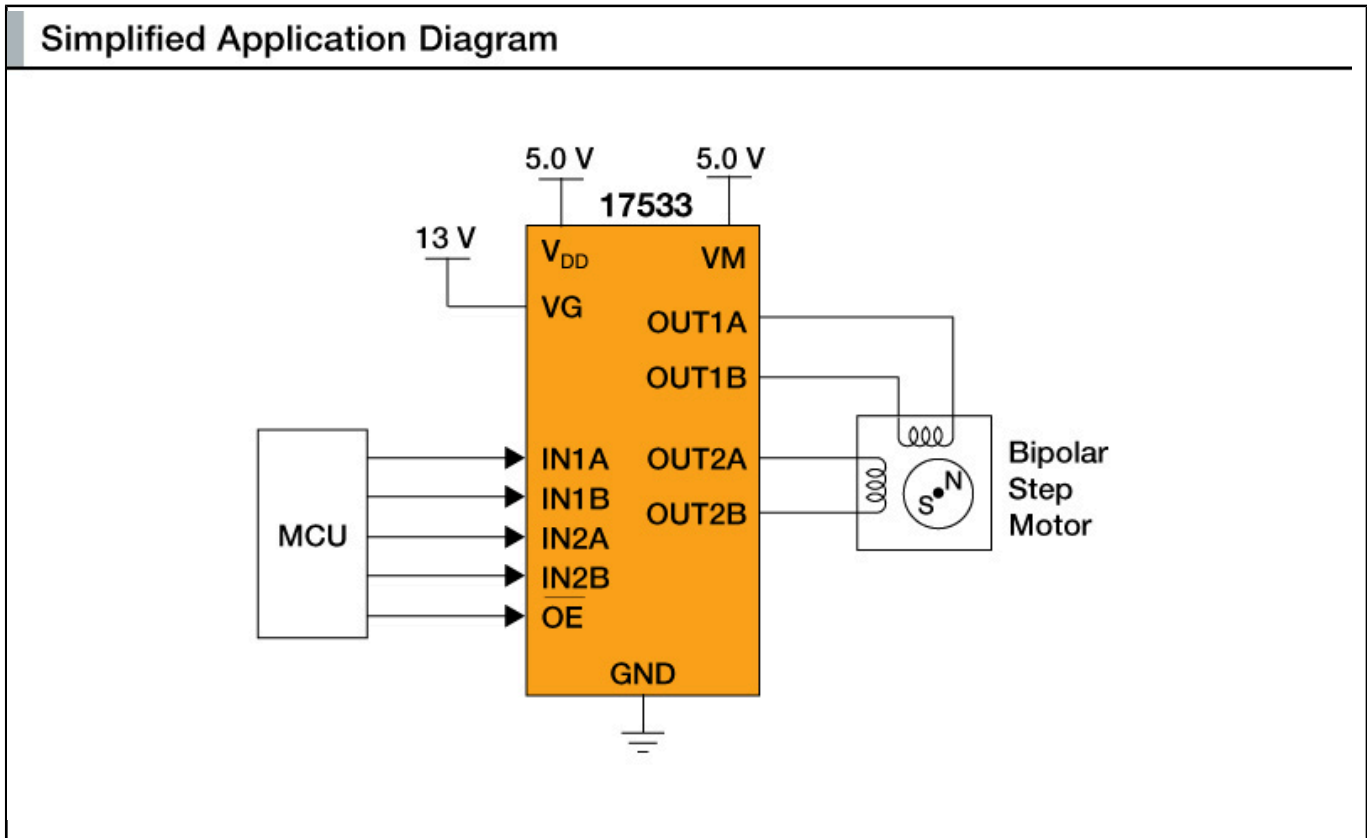
本页面包含有关样品阶段产品的信息。此处的规格和信息如有更改，恕不另行通知。如需了解其他信息，请联系支持人员或您的销售代表。

Last Updated: Mar 8, 2023

The NXP® MPC17533 is a monolithic dual H-Bridge IC that is ideal in portable electronic applications for controlling stepper or Brush DC-motors, such as camera lens shutters and optical disk drives.

- 工作电压为：2.0 V至6.8 V，通过一个并行MCU接口(兼容3.0 V和5.0 V的逻辑电压)单独控制每个H桥
- 内置的直通电流保护和欠压检测器，以避免出现故障
- 四种输出控制模式：向前、向后、制动和三态模式(开)，低导通电阻为1.2 Ohm (最大值)
- 能通过并行驱动电路以较低的损耗驱动各类微型驱动器，因为每一部分都有高效的驱动器，为高速驱动提供PWM控制

## H-Bridge, Brushed DC/Stepper Motor Driver, 2-6.8V, 1.4A, 200kHz Block Diagram



View additional information for [双H桥, 电机驱动器, 2-6.8V, 1.4A, 200kHz](#).

Note: The information on this document is subject to change without notice.

[www.nxp.com](http://www.nxp.com)

NXP and the NXP logo are trademarks of NXP B.V. All other product or service names are the property of their respective owners. The related technology may be protected by any or all of patents, copyrights, designs and trade secrets. All rights reserved. © 2024 NXP B.V.