



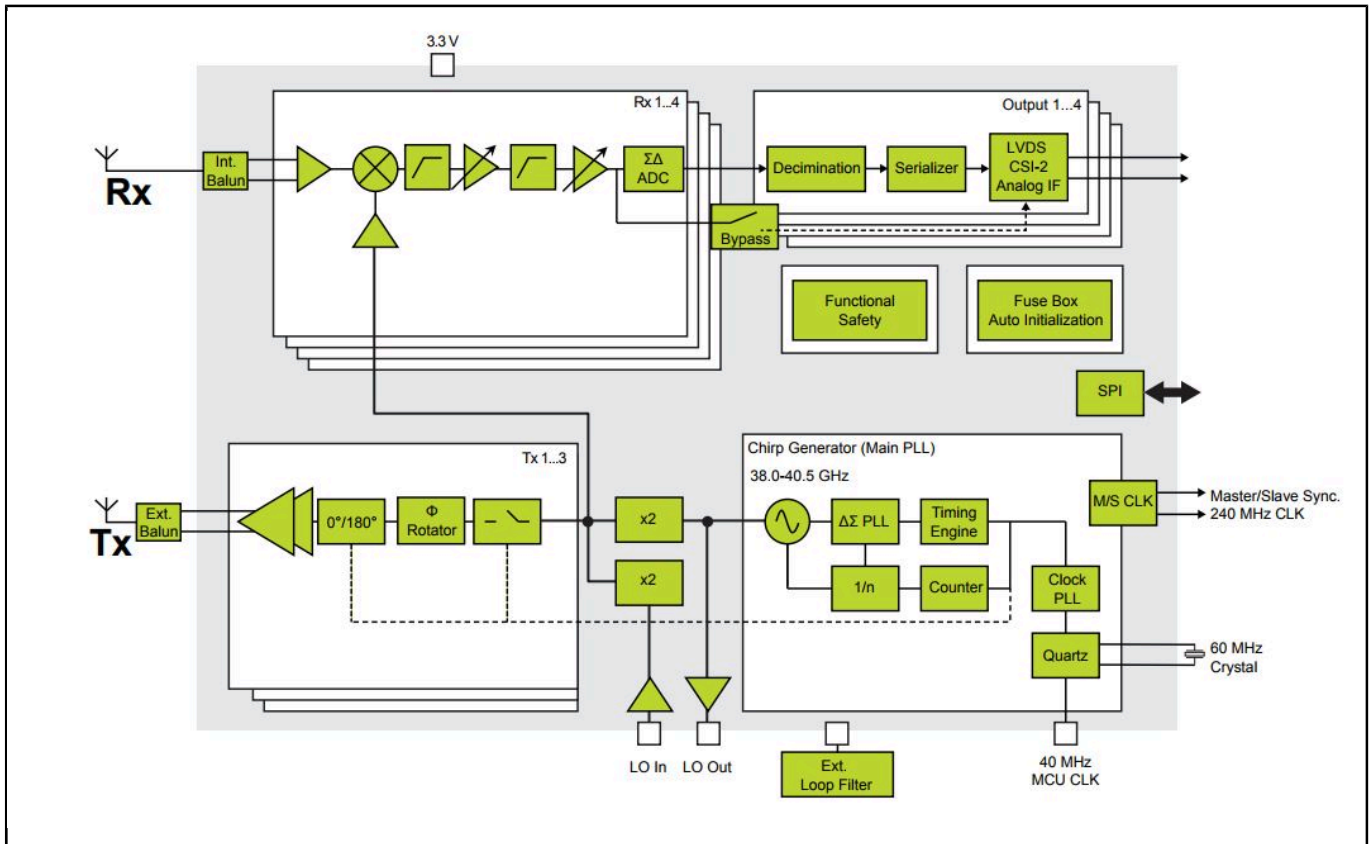
MR3003 高性能77 GHz雷达收发器

MR3003

Last Updated: Apr 8, 2022

MR3003是一款高性能、符合汽车要求的单芯片76-81 GHz雷达应用收发器。MR3003收发器包括3个发送通道和4个接收通道。MR3003性能高，例如：采用TX相位旋转实现高角度分辨率，借助低相位噪声和低线性度实现物体间的强大分离，以及借助高输出功率和低噪声系数实现长检测范围。

MR3003 Block Diagram Block Diagram



View additional information for [MR3003 高性能77 GHz雷达收发器](#).

Note: The information on this document is subject to change without notice.

www.nxp.com

NXP and the NXP logo are trademarks of NXP B.V. All other product or service names are the property of their respective owners. The related technology may be protected by any or all of patents, copyrights, designs and trade secrets. All rights reserved. © 2024 NXP B.V.