



MPC5643L 3相BLDC开发套件

MTRCKTDBN5643L

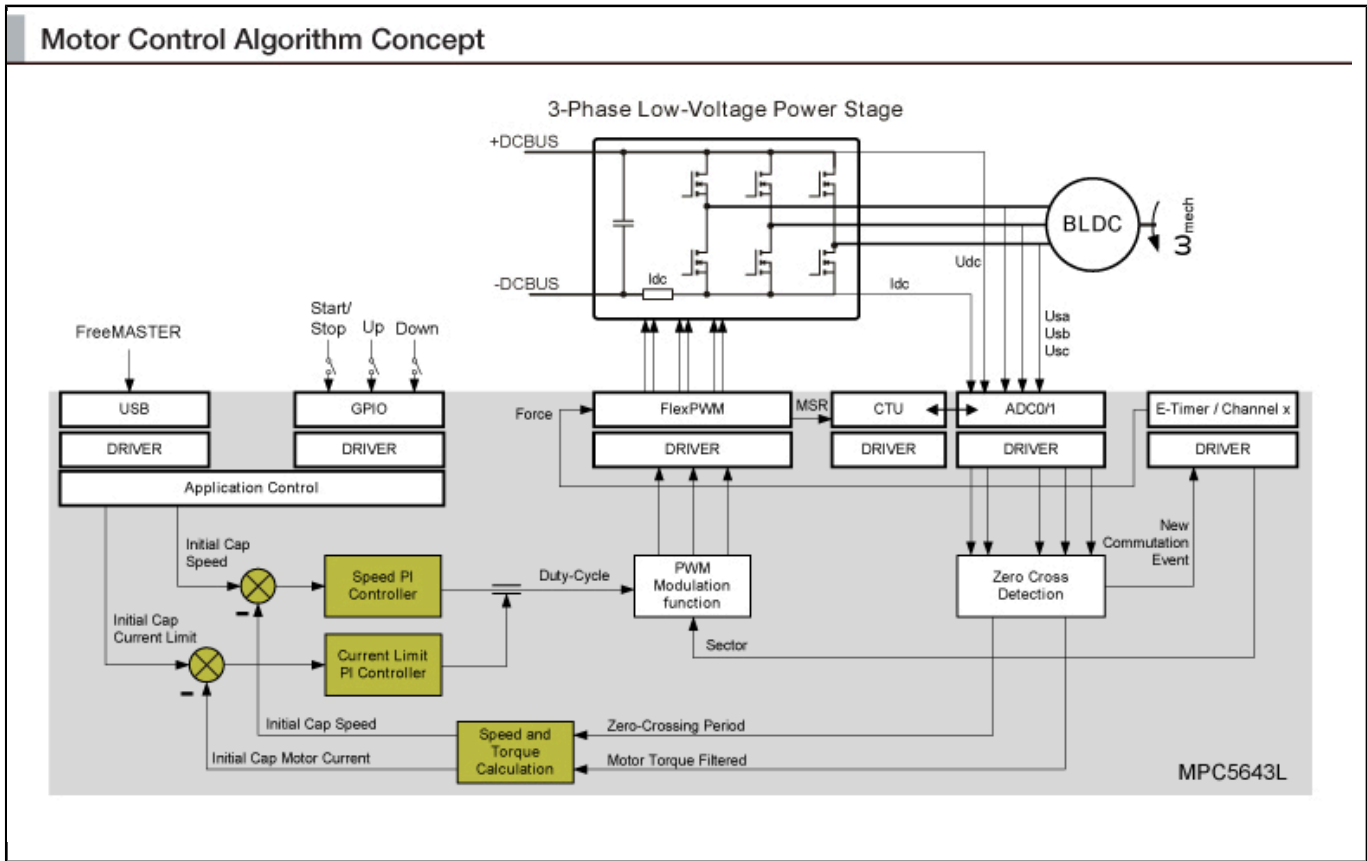
Last Updated: Sep 7, 2022

恩智浦®MTRCKTDBN5643L电机控制开发套件适用于需要两个BLDC电机的无传感器应用，如HVAC或电泵。

该套件旨在实现快速原型设计和电机控制应用评估，而无需等待最终硬件设计。它包括一个基于32位恩智浦MPC5643L的控制器电路板和一個3相低压功率模块电路板。

应用软件提供BLDC电机控制应用的完整参考实施，还能够利用汽车计算和电机控制库套件。

电机控制算法概念 Block Diagram



View additional information for [MPC5643L 3相BLDC开发套件](#).

Note: The information on this document is subject to change without notice.

www.nxp.com

NXP and the NXP logo are trademarks of NXP B.V. All other product or service names are the property of their respective owners. The related technology may be protected by any or all of patents, copyrights, designs and trade secrets. All rights reserved. © 2024 NXP B.V.