



# MPC5606B 3相BLDC开发套件

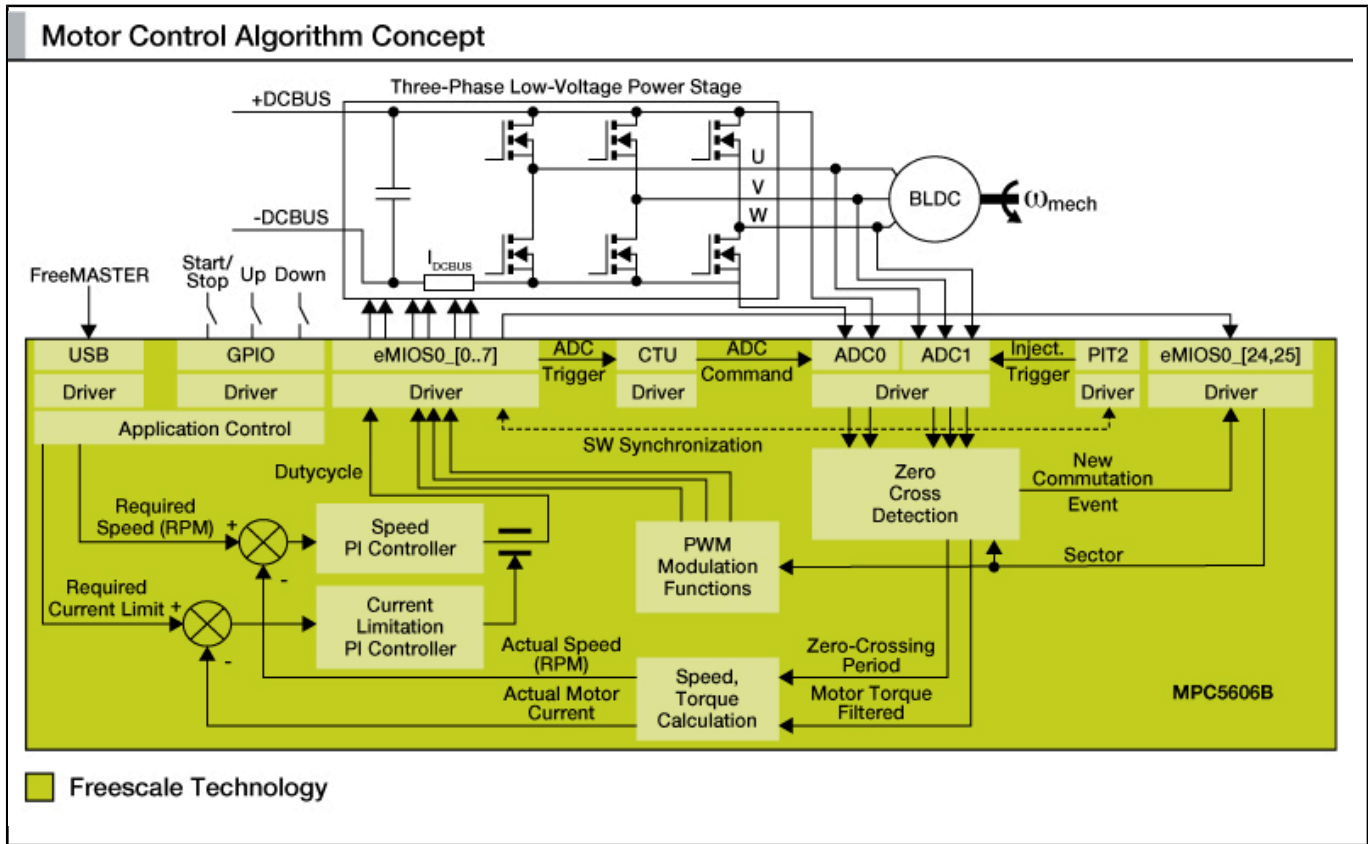
## MTRCKTSBN5606B

Last Updated: Sep 7, 2022

MTRCKTSBN5606B电机控制开发套件适用于需要BLDC电机的无传感器应用，如HVAC或电泵。

- 可实现快速的原型设计和电机控制应用评估，无需等待最终的硬件设计。
- 包括一个基于32位恩智浦MPC5606B控制器板和3相低压功率模块板。
- 应用软件提供BLDC电机控制应用的完整参考实施，并利用汽车计算和电机控制库套件。

采用恩智浦MPC5606B的3相无传感器BLDC开发套件 Block Diagram



View additional information for [MPC5606B 3相BLDC开发套件](#).

Note: The information on this document is subject to change without notice.

[www.nxp.com](http://www.nxp.com)

NXP and the NXP logo are trademarks of NXP B.V. All other product or service names are the property of their respective owners. The related technology may be protected by any or all of patents, copyrights, designs and trade secrets. All rights reserved. © 2024 NXP B.V.