



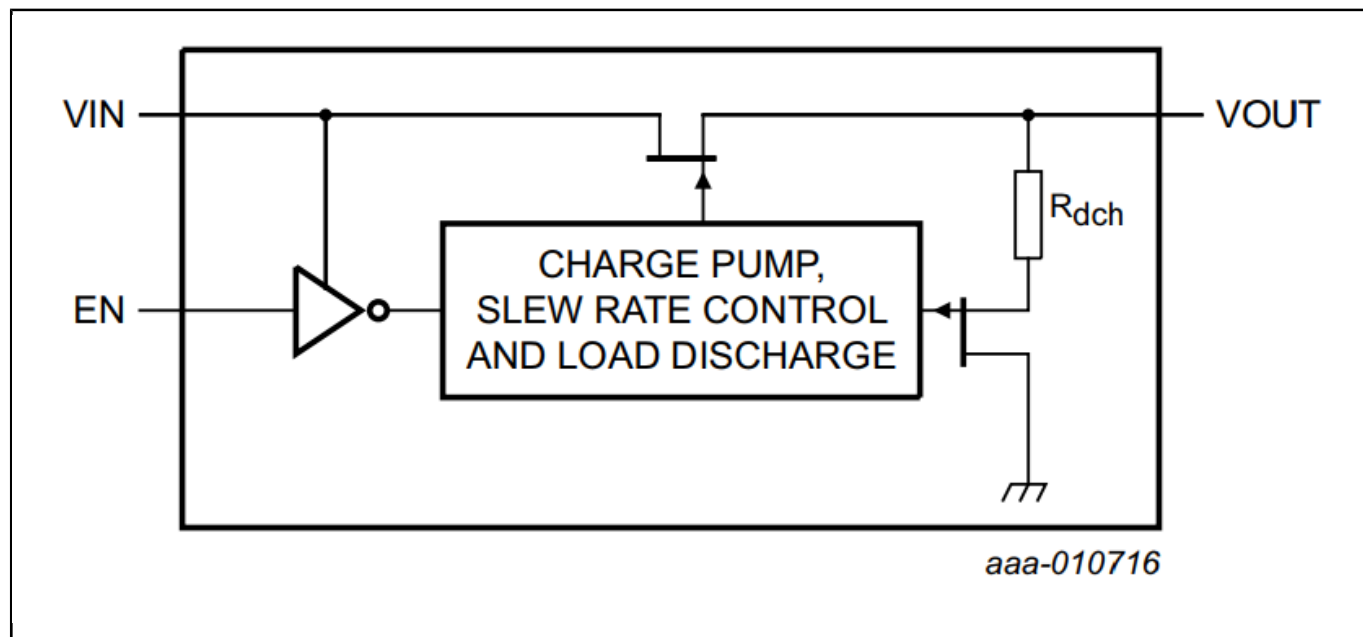
# 逻辑控制高侧电源开关

## **NX5P2924**

Last Updated: Sep 5, 2022

NX5P2924x高侧负载开关系列，具有带受控转换速率的低导通电阻N沟道MOSFET，支持**2.5 A**持续电流。该系列专为**0.8 V**至**5.5 V**的工作电压范围而设计，用于电源域隔离应用，可降低功耗并延长电池寿命。为实现电容负载的快速放电，集成了输出下拉晶体管。使能逻辑器件包括集成的逻辑电平转换，使这些器件与低压处理器和控制器兼容。由于接地电流低，该系列产品非常适合便携式电池供电应用。

## 逻辑控制高边电源开关 Block Diagram



View additional information for [逻辑控制高侧电源开关](#).

**Note:** The information on this document is subject to change without notice.

**www.nxp.com**

NXP and the NXP logo are trademarks of NXP B.V. All other product or service names are the property of their respective owners. The related technology may be protected by any or all of patents, copyrights, designs and trade secrets. All rights reserved. © 2024 NXP B.V.