



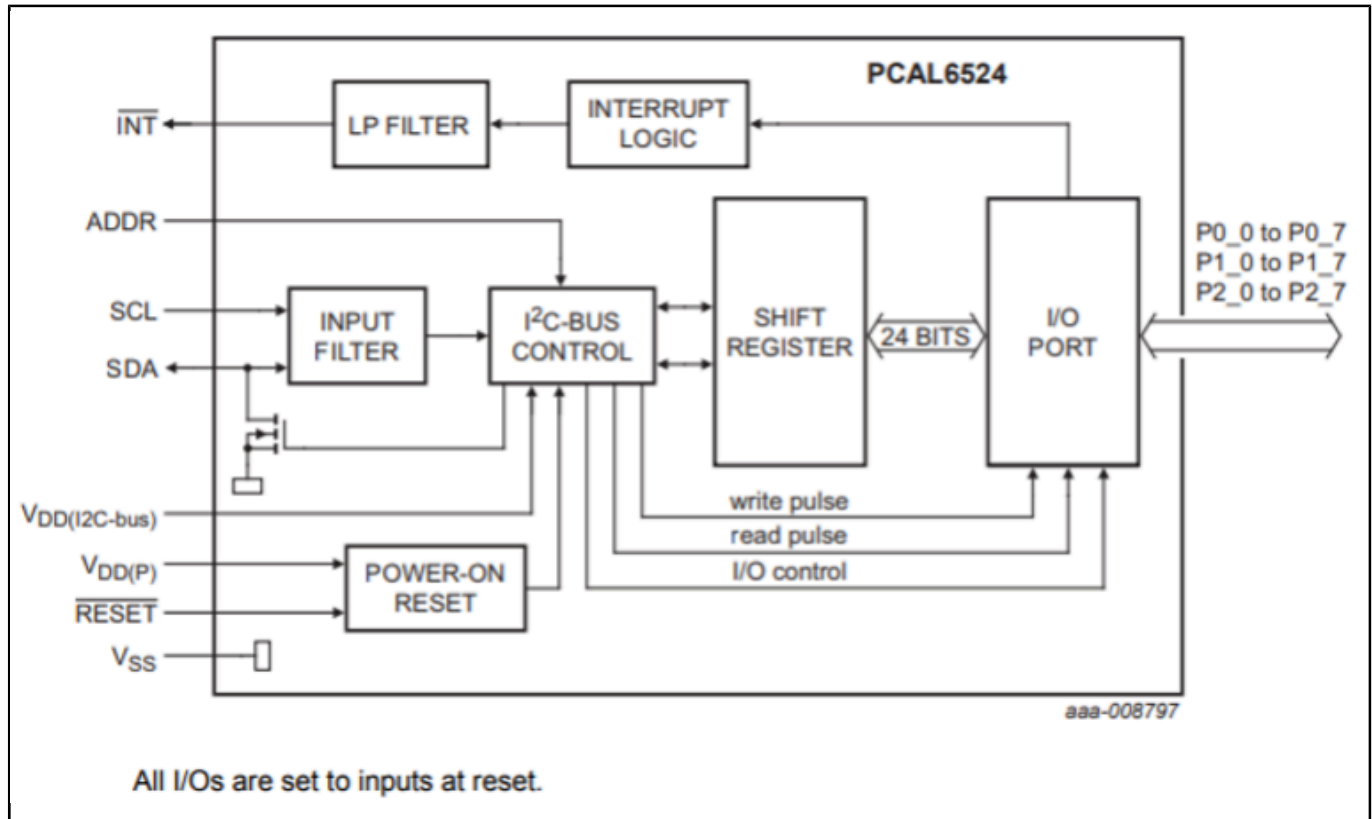
# **PCAL6524/(EV-VFBGA36)(S500) Fm+ I2C 24-Bit GPIO Demo Board**

## **OM13529UL**

Last Updated: Mar 25, 2024

The OM13529 is the demo board for the PCAL6524. The PCAL6524 is a 24-bit general purpose I/O expander that provides remote I/O expansion for most NXP microcontroller families via the Fast-mode Plus (Fm+) I<sup>2</sup>C-bus interface. The ultra-low-voltage interface allows for direct connection to a microcontroller operating down to 0.8 V.

## Fm+ I2C 24-Bit GPIO Demo Board Block Diagram



View additional information for [PCAL6524/\(EV-VFBGA36\)\(S500\) Fm+ I2C 24-Bit GPIO Demo Board](#).

Note: The information on this document is subject to change without notice.

[www.nxp.com](http://www.nxp.com)

NXP and the NXP logo are trademarks of NXP B.V. All other product or service names are the property of their respective owners. The related technology may be protected by any or all of patents, copyrights, designs and trade secrets. All rights reserved. © 2024 NXP B.V.