



带有复位的8位I²C总线和SMBus I/O端口

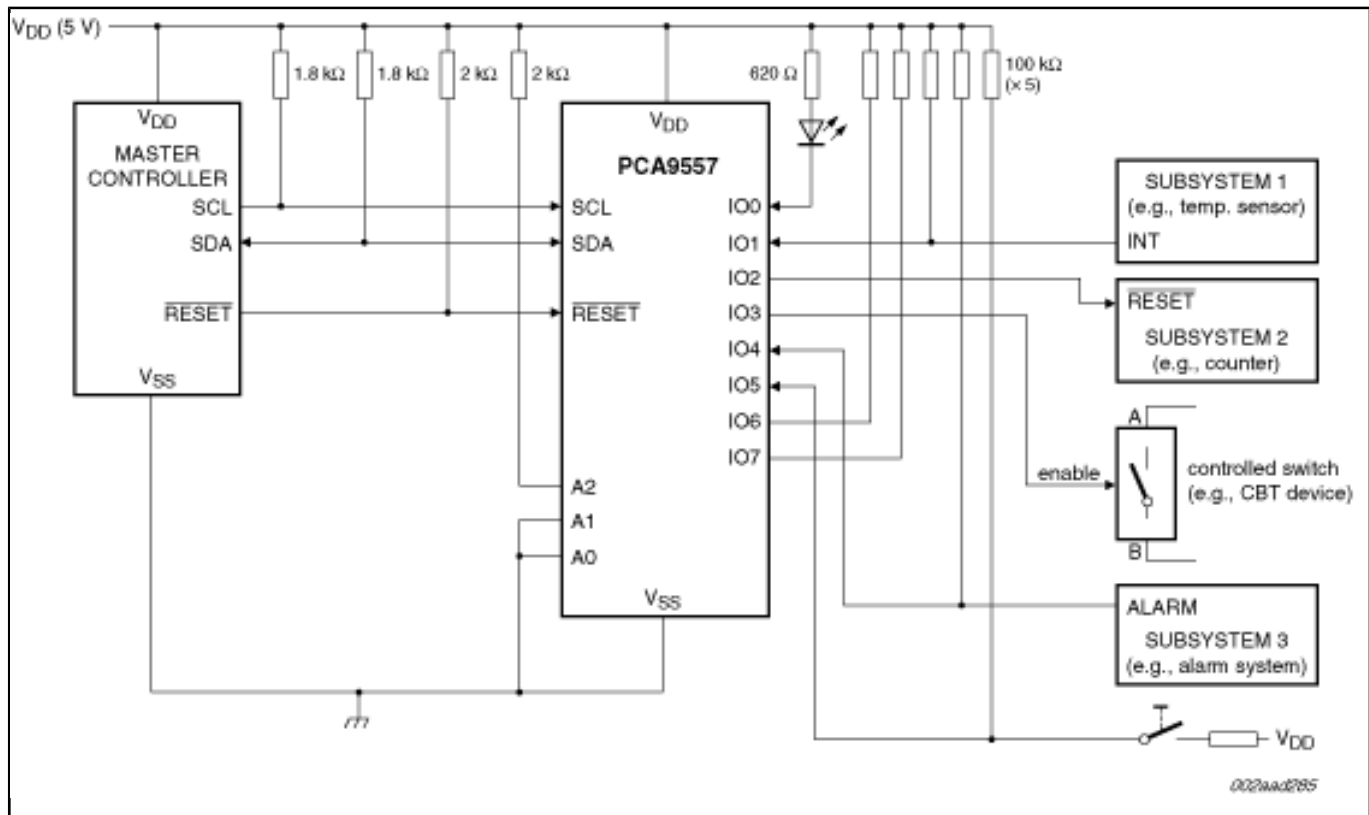
PCA9557

PCA9557是一款硅CMOS电路，为SMBus和I²C总线应用提供并行输入/输出扩展。PCA9557由8位输入端口寄存器、8位输出端口寄存器和I²C总线/SMBus接口组成。具有低电流消耗和高阻抗开漏输出引脚I00。

通过写入I/O配置寄存器，系统主器件可将PCA9557的I/O用作输入或输出。通过写入高电平有效的极性反转寄存器，系统主器件还可反转PCA9557输入。最后，通过在复位输入中加入低电平，系统主器件可在超时时使PCA9557复位。

上电复位会将寄存器设为其默认状态并初始化I²C总线/SMBus状态机。1引脚可引发相同的复位/初始化而无需使部件断电。

Block diagram: PCA9557BS, PCA9557D, PCA9557PW Block Diagram



View additional information for [带有复位的8位I2C总线SMBus I/O端口](#).

Note: The information on this document is subject to change without notice.

www.nxp.com

NXP and the NXP logo are trademarks of NXP B.V. All other product or service names are the property of their respective owners. The related technology may be protected by any or all of patents, copyrights, designs and trade secrets. All rights reserved. © 2024 NXP B.V.