



低复用率的通用**LCD**驱动器

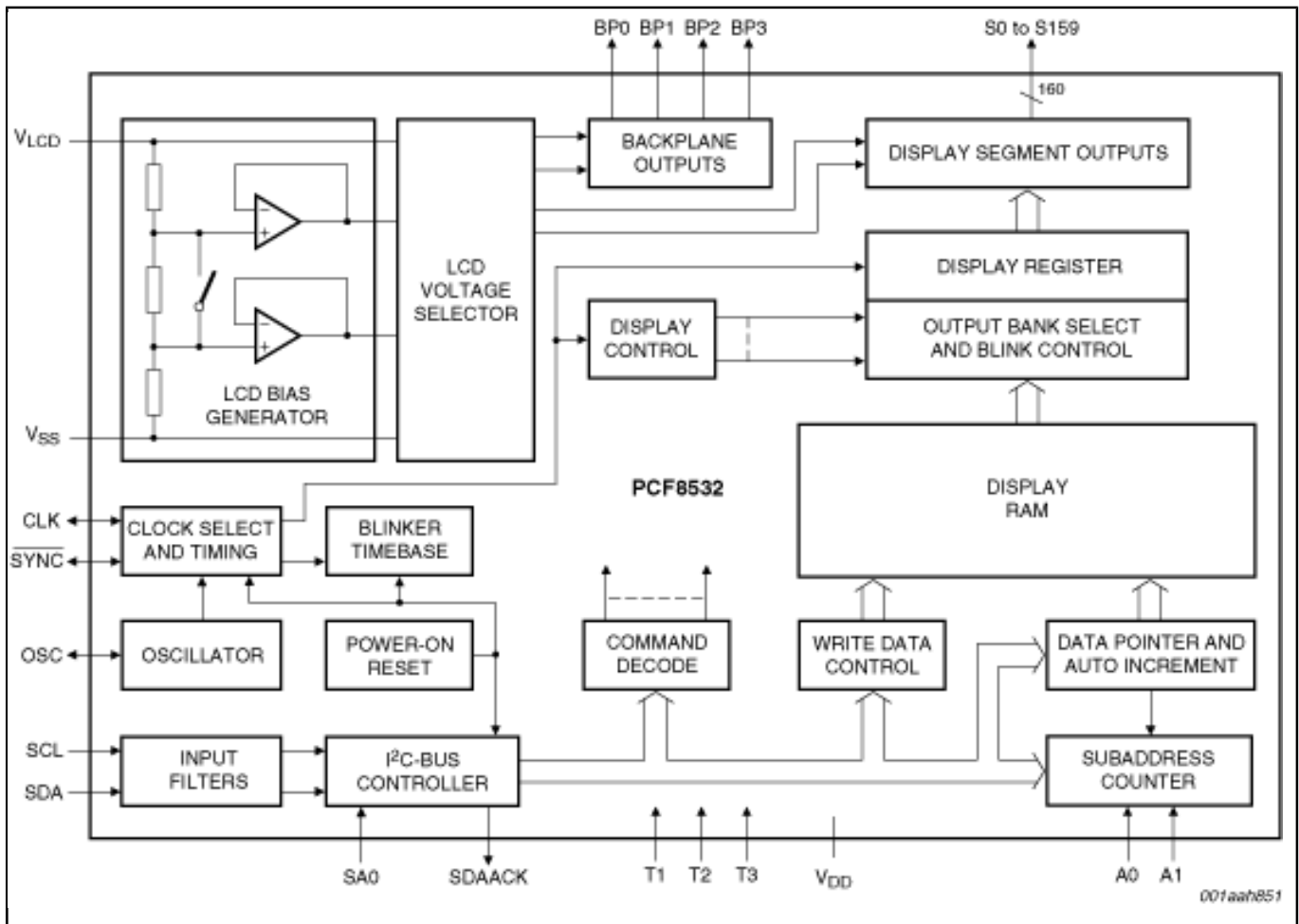
PCF8532U

Last Updated: Apr 9, 2022

PCF8532是一款外围器件，能驱动几乎任何低复用率液晶显示器(LCD)。可为任何包含最多**4**背板和**160**分段的静态或多路复用**LCD**生成驱动信号。方便级联进行大型**LCD**应用。PCF8532兼容大多数微控制器，并且通过双线路双向**I²C**总线进行通信。通过具有自动增量式寻址功能的显示RAM、硬件子地址寻址和显示存储器切换(静态和双工驱动模式)，可以最大限度地降低通信开销。

不适用于新设计。替代件**PCF85132U/2DA/1**适合工业应用，**PCA85132U/2DA/Q1**适合汽车应用。

Block diagram: PCF8532U Block Diagram



View additional information for [低复用率的通用LCD驱动器](#).

Note: The information on this document is subject to change without notice.

www.nxp.com

NXP and the NXP logo are trademarks of NXP B.V. All other product or service names are the property of their respective owners. The related technology may be protected by any or all of patents, copyrights, designs and trade secrets. All rights reserved. © 2024 NXP B.V.