



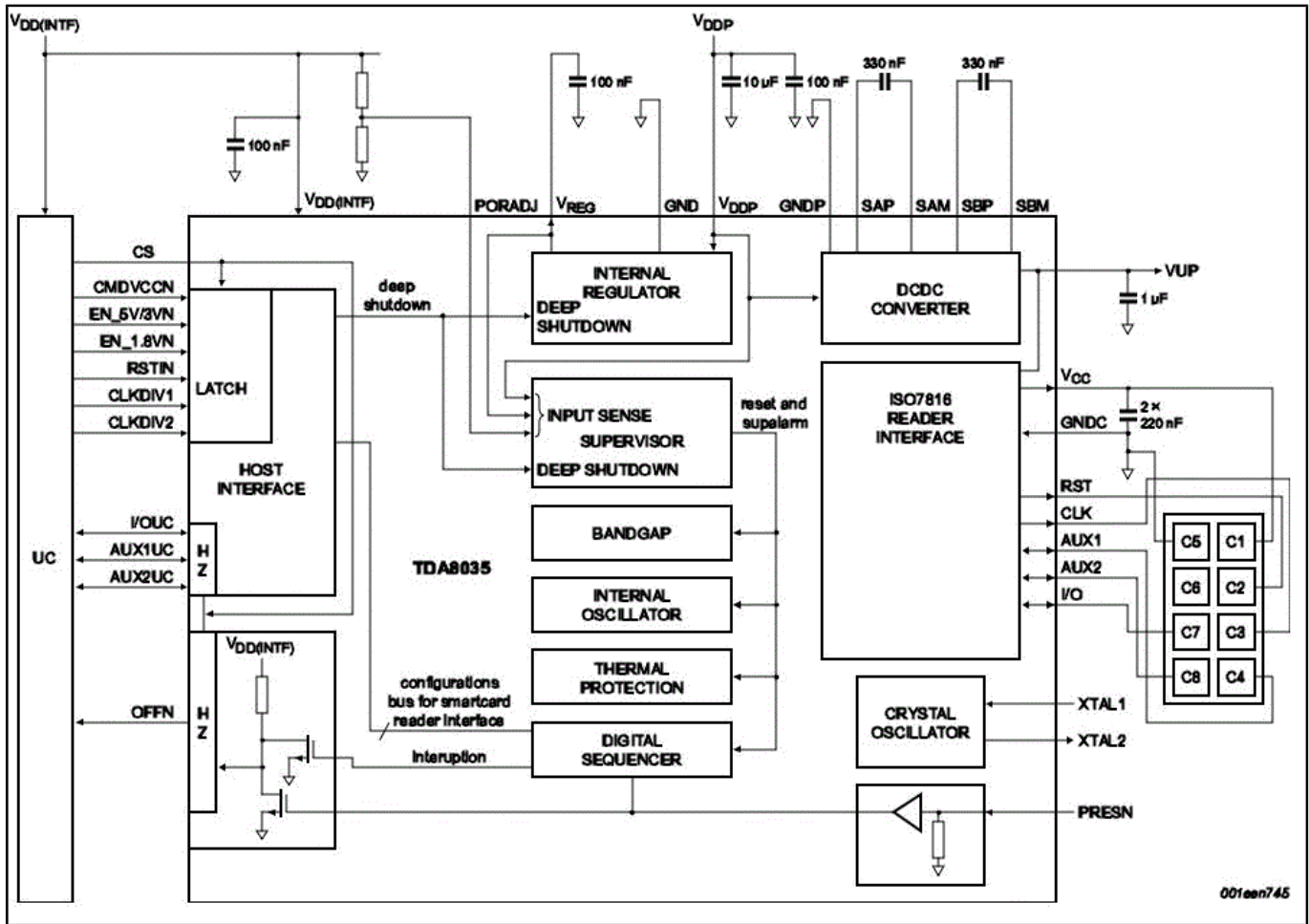
高度集成的低功耗智能卡接口

TDA8035HN

Last Updated: Apr 8, 2022

TDA8035是高度集成的接触式智能卡读卡器IC TDA8024的高性价比替代产品。它通过执行限流、短路检测、ESD保护以及电源监控等功能，为卡片提供高等级的安全性。由于在3 V电源域内工作，该接触式读卡器在待机模式下的功耗极低。因此，TDA8035器件是高效接触式读卡器的理想选择。

TDA8035HN Block diagram Block Diagram



View additional information for [高度集成的低功耗智能卡接口](#).

Note: The information on this document is subject to change without notice.

www.nxp.com

NXP and the NXP logo are trademarks of NXP B.V. All other product or service names are the property of their respective owners. The related technology may be protected by any or all of patents, copyrights, designs and trade secrets. All rights reserved. © 2024 NXP B.V.