



AI Robot Platform Based on i.MX 8M Plus

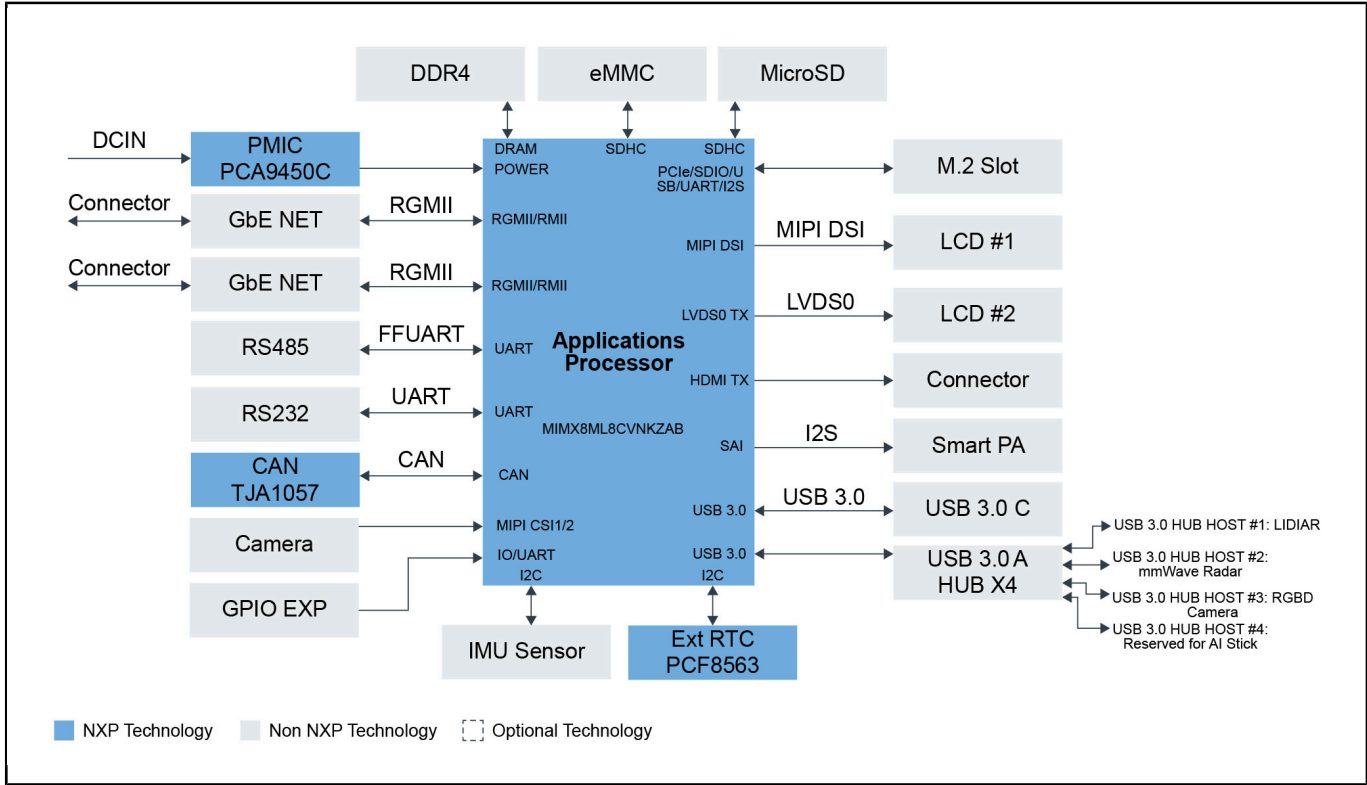
AI-ROBOT-PLATFORM

Last Updated: Jun 23, 2022

The AI Robot platform is based on NXP's [i.MX8M Plus applications processor](#), which aims to provide customers with a reference design on mobile service robots, such as robot vacuum cleaner, various industrial robots used in automatic factory, as well as collaborative robots, AGV, etc.

The AI Robot platform is a reference design and not for sale on [nxp.com](#). Please contact NXP if you would like a demonstration or need more info.

AI Robot Platform Block Diagram



View additional information for [AI Robot Platform Based on i.MX 8M Plus](#).

Note: The information on this document is subject to change without notice.

www.nxp.com

NXP and the NXP logo are trademarks of NXP B.V. All other product or service names are the property of their respective owners. The related technology may be protected by any or all of patents, copyrights, designs and trade secrets. All rights reserved. © 2022 NXP B.V.