



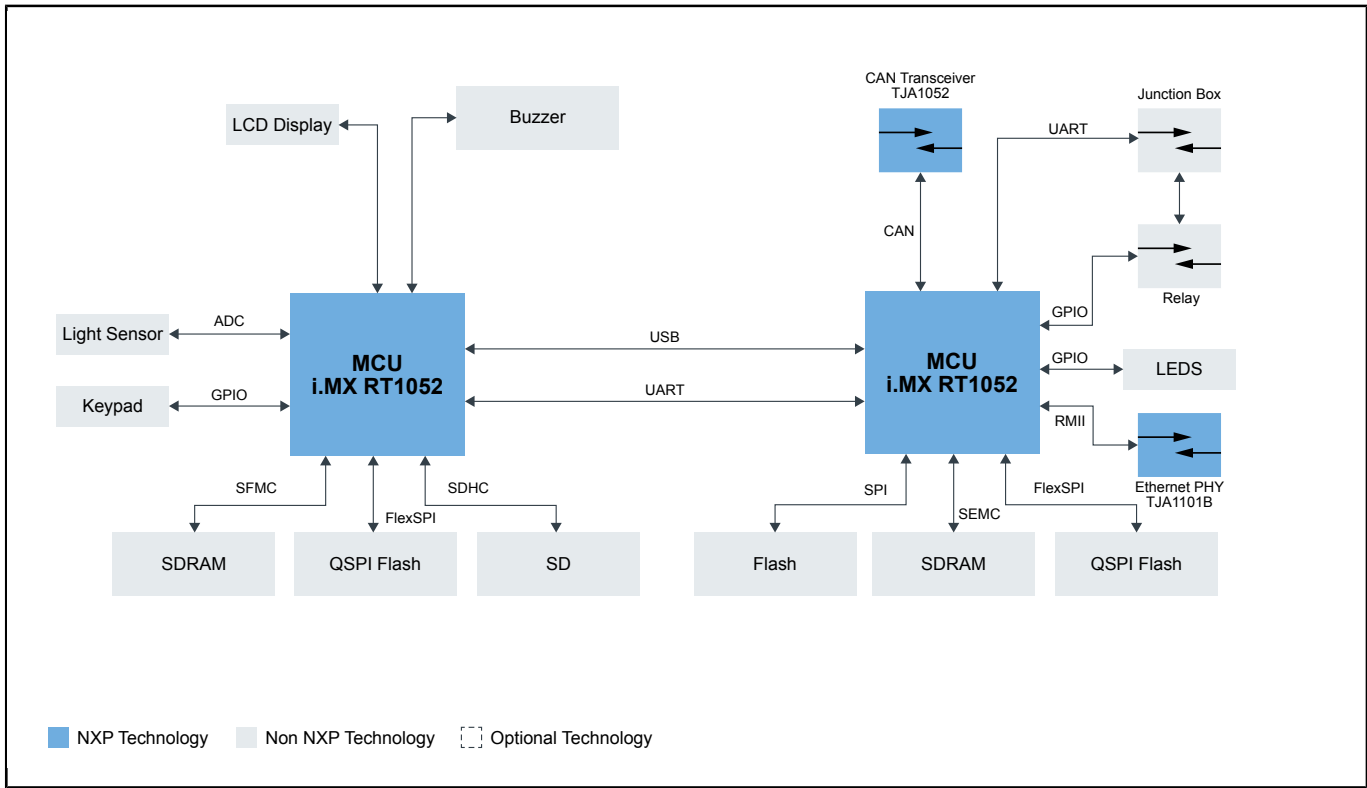
Marine Transponder

ASI-TRANSPDR

Last Updated: Apr 23, 2024

NXP has a proud heritage of supplying solutions for automotive and aerospace applications. Many of these solutions also apply to the rapidly evolving field of mobile robotics. Whether your system operates on the ground, under the sea or in the sky, NXP offers a complete portfolio of sensors, controllers and communications solutions. Solutions for connecting functional modules within a vehicle or transportation system and connecting them to external networks.

AIS Transponder Block Diagram



View additional information for [Marine Transponder](#).

Note: The information on this document is subject to change without notice.

www.nxp.com

NXP and the NXP logo are trademarks of NXP B.V. All other product or service names are the property of their respective owners. The related technology may be protected by any or all of patents, copyrights, designs and trade secrets. All rights reserved. © 2024 NXP B.V.