



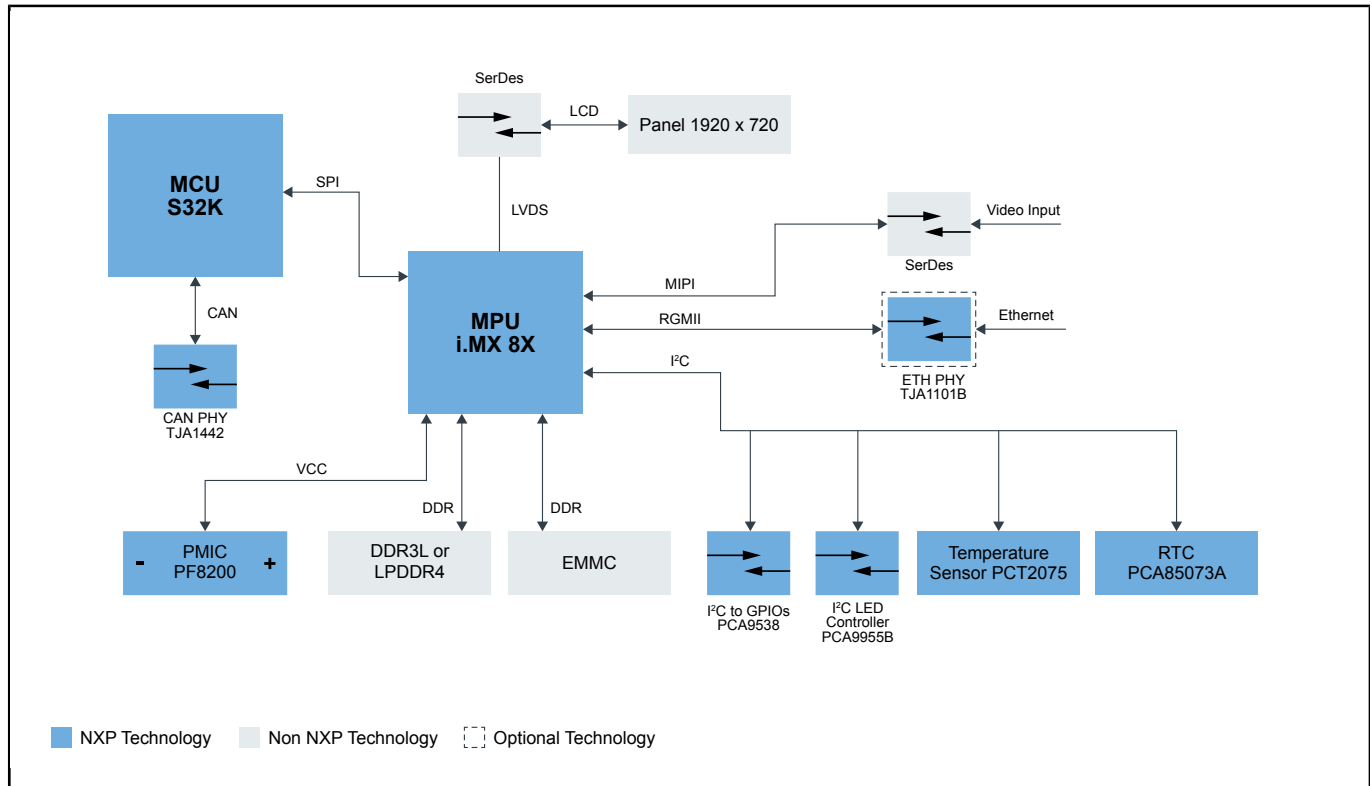
Based Virtual Cluster

BASED-VIRTUAL-CLUSTER

Last Updated: Apr 23, 2024

To further help your instrument cluster designs, NXP offers an extensive suite of hardware and software development tools. NXP offers several cost-effective solutions based on its complete range of instrument cluster processors, from the 8-bit S08 family to industry-leading 16-bit S12 architecture, integrating required interface features that include the optimal set of on-chip features, package and memory options.

Based Virtual Cluster Block Diagram



View additional information for [Based Virtual Cluster](#).

Note: The information on this document is subject to change without notice.

www.nxp.com

NXP and the NXP logo are trademarks of NXP B.V. All other product or service names are the property of their respective owners. The related technology may be protected by any or all of patents, copyrights, designs and trade secrets. All rights reserved. © 2025 NXP B.V.